
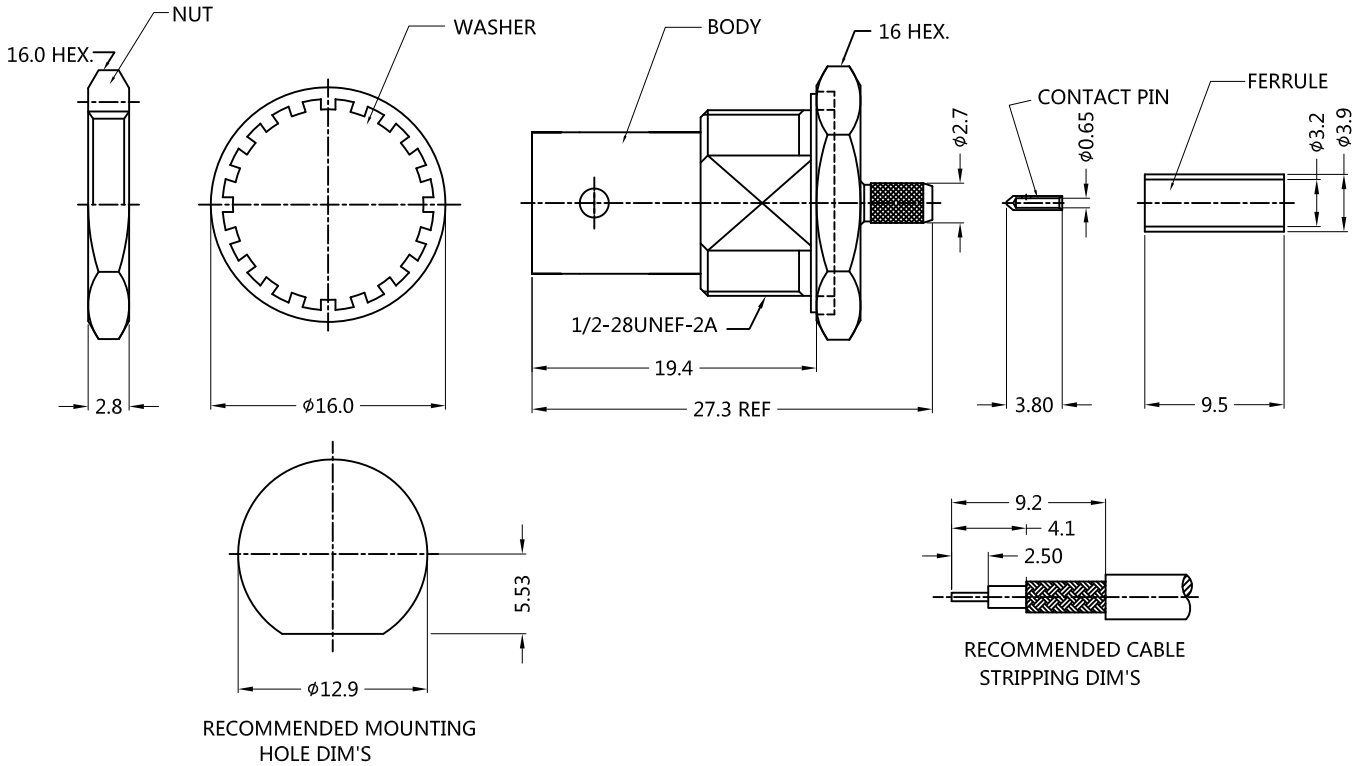


REV.	DESCRIPTION	ECN NO.	NAME	DATE	 ALL PARTS MUST MEET TO RoHS REQUIREMENTS
1	NEW FRAME	N/A	JING	2020-07-01	

REMARKS:

- CONTACT PIN TO SOLDER
- PANEL THICKNESS: 3.5 MAX.
- CRIMP FERRULE FOR .130" HEX

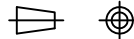


MATERIALS AND PLATING UNIT: MICRO-INCHES			ELECTRICAL CHARACTERISTICS	
PART NAME	MATERIALS	PLATING		
BODY	BRASS C3604	NICKEL 100u" / COPPER	IMPEDANCE	50 Ω
INSULATOR	TEFLON MIL-P-19468	N/A	VOLTAGE RATING	500 V(rms)
CONTACT PIN	PHOSPHOR BRONZE	GOLD 5u" / NICKEL/COPPER	FREQUENCY RANGE	0 ~ 4 GHz
GASKET	SILICONE	N/A	DIELECTRIC WITHSTANDING VOLTAGE	>500 V
NUT/WASHER	BRASS	NICKEL 100u" / COPPER	CONTACT RESISTANCE	CENTER CONTACT <3.0 mΩ
FERRULE	BRASS	NICKEL 100u" / COPPER		OUTER CONTACT <2.0 mΩ
			INSULATION RESISTANCE	>5000 MΩ
			INSERTION LOSS	According as the cable
			RF-LEAKAGE	N/A
			VSWR	N/A
			3RD INTERMODULATION	N/A
MECHANICAL CHARACTERISTICS			ENVIRONMENTAL PARAMETER	
FORCE TO ENGAGE AND DISENGAGE		N/A	TEMPERATURE RANGE	-55 °C ~ +125 °C
CENTER CONTACT RETENTION FORCE		>6 lbs		
RECOMMENDED COUPLING TORQUE		N/A		
COUPLING NUT RETENTION FORCE		>60 lbs		
DURABILITY		>500 cycles		

\* CUSTOMER OUTLINE DRAWING

- UNLESS OTHERWISE SPECIFIED:
- EDGES : C0.15 MAX ;
  - REMOVE ALL BURRS ;
  - SURFACE ROUGHNESS : Ra1.6 ;
  - UNITS : mm ;
  - DIMENSIONS TOLERANCES  
 DECIMALS : .x ±0.3 .xx ±0.2 .xxx±0.1;  
 ANGLES : ± 5°.

THIRD ANGLE PROJECTION



APPROVED :

CUSTOMER P/N :

CHECKED :

SCALE :

2 : 1

DRAWING :

JING

DATE : 2020-07-01

PAGE : 1/1



TITLE : BNC FEMALE CRIMP S/T FOR

RG174/U CABLE 50 OHM

DRAWING NO. :

5BNF35S-A02-005

COMPANY WEBSITE : www.slkcorp.com

CUSTOMER OUTLINE DRAWING