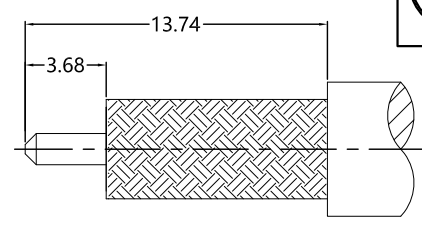
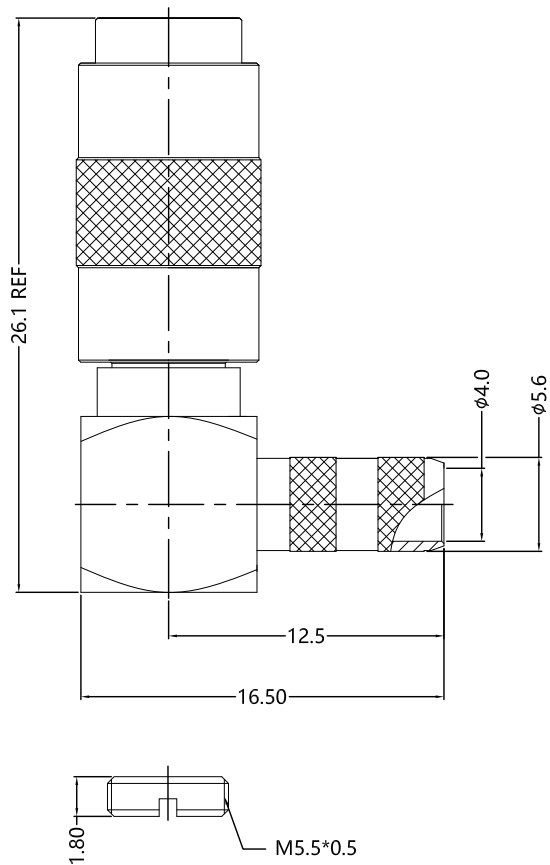


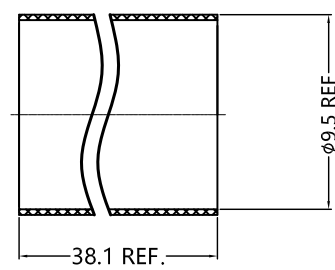
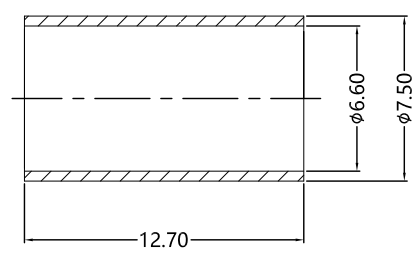
REV.	DESCRIPTION	ECN NO.	NAME	DATE
1	UPDATE DRAWING	N/A	YJY	2019-05-13
2	NEW FRAME	N/A	JING	2020-08-05



ALL PARTS MUST MEET TO RoHS REQUIREMENTS



RECOMMENDED CABLE STRIPPING DIM'S



MATERIALS AND PLATING		UNIT: MICRO-INCHES
PART NAME	MATERIALS	PLATING
BODY	BRASS C3604	ALBALOY 80u" / COPPER
INSULATOR	PTFE ASTM-D-1710	N/A
CONTACT PIN	BRASS C3604	GOLD 10u"/NICKEL/COPPER
FERRULE	BRASS	ALBALOY 80u" / COPPER

ELECTRICAL CHARACTERISTICS		
IMPEDANCE	50 Ω	
VOLTAGE RATING	250 V(rms)	
FREQUENCY RANGE	0 ~ 3 GHz	
DIELECTRIC WITHSTANDING VOLTAGE	>750 V	
CONTACT RESISTANCE	CENTER CONTACT	<4.0 mΩ
	OUTER CONTACT	<2.5 mΩ
INSULATION RESISTANCE	>1000 MΩ	
INSERTION LOSS	N/A	
RF-LEAKAGE	N/A	
VSWR	<1.35	
3RD INTERMODULATION	N/A	

MECHANICAL CHARACTERISTICS	
FORCE TO ENGAGE AND DISENGAGE	N/A
CENTER CONTACT RETENTION FORCE	>2.25 lbs
RECOMMENDED COUPLING TORQUE	N/A
COUPLING NUT RETENTION FORCE	N/A
DURABILITY	>500 cycles

ENVIRONMENTAL PARAMETER	
TEMPERATURE RANGE	-40 °C ~ +125 °C
SALT SPRAY	48H

CUSTOMER OUTLINE DRAWING

*** CUSTOMER OUTLINE DRAWING**

UNLESS OTHERWISE SPECIFIED:
 1) EDGES : C0.15 MAX ;
 2) REMOVE ALL BURRS ;
 3) SURFACE ROUGHNESS : Ra1.6 ;
 4) UNITS : mm ;
 5) DIMENSIONS TOLERANCES
 DECIMALS : .x ±0.3 .xx ±0.2 .xxx±0.1;
 ANGLES : ± 5°.

THIRD ANGLE PROJECTION		
APPROVED :	CUSTOMER P/N :	-
CHECKED :	SCALE :	3 : 1
DRAWING :	DATE :	2020-08-05
JING	PAGE :	1/1

TITLE : 1.0/2.3 MALE R/A CRIMP FOR SLR240 CABLE, 50Ω
 DRAWING NO. : 5A1M11R-A46-001
 COMPANY WEBSITE : www.slkcorp.com