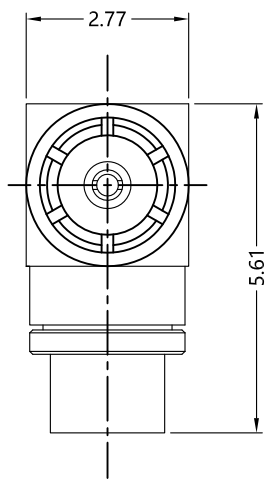
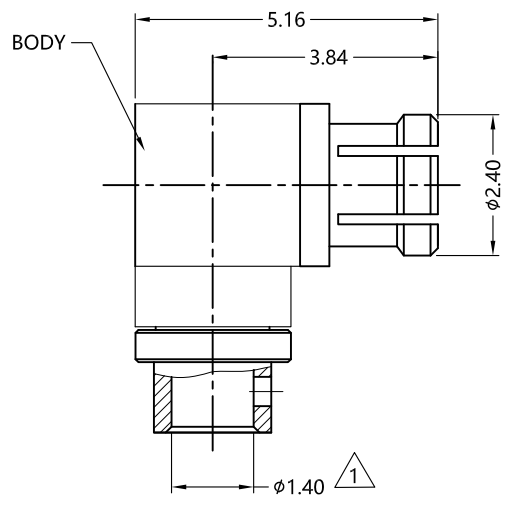
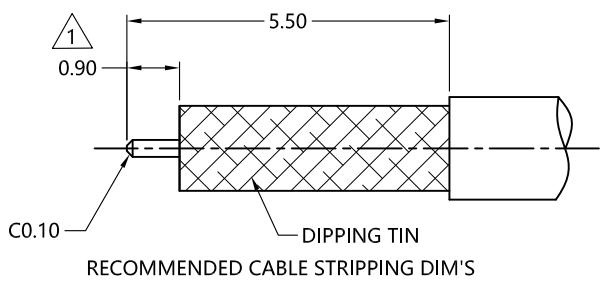


REV.	DESCRIPTION	ECN NO.	NAME	DATE
0	FIRST EDITION	N/A	HRWEI	2020-07-07
1	UPDATE THE SIZE	N/A	HRWEI	2020-08-27



ALL PARTS MUST MEET TO RoHS REQUIREMENTS

REMARKS:  
 1. CONTACT PIN TO CAPTIVE  
 2. BODY TO SOLDER  
 3. ADD SIZE: 0.8 mm



MATERIALS AND PLATING		UNIT: MICRO-INCHES
PART NAME	MATERIALS	PLATING
BODY	Be-Cu C17300	GOLD 15 u"/NICKEL/COPPER
INSULATOR	PTFE ASTM-D-1710	N/A
CONTACT PIN	Be-Cu C17300	GOLD 50 u"/NICKEL/COPPER

ELECTRICAL CHARACTERISTICS	
IMPEDANCE	50 Ω
VOLTAGE RATING	N/A
FREQUENCY RANGE	DC ~ 40 GHz
DIELECTRIC WITHSTANDING VOLTAGE	>500 V
CONTACT RESISTANCE	CENTER CONTACT
	OUTER CONTACT
INSULATION RESISTANCE	>1000 MΩ
INSERTION LOSS	$<0.10\sqrt{F(\text{GHz})}$ dB
VSWR	<1.50
3RD INTERMODULATION	N/A

MECHANICAL CHARACTERISTICS		
CENTER CONTACT RETENTION FORCE		>3 lbs
Engagement force	Full detent	<4.5 lbs
	Smooth bore	<2.5 lbs
Disengagement force	Full detent	<6.5 lbs
	Smooth bore	<1.5 lbs
DURABILITY	Full detent	>100 cycles
	Smooth bore	>500 cycles

ENVIRONMENTAL PARAMETER	
TEMPERATURE RANGE	-40 °C ~ +125 °C

\* CUSTOMER OUTLINE DRAWING

UNLESS OTHERWISE SPECIFIED:  
 1) EDGES : C0.15 MAX ;  
 2) REMOVE ALL BURRS ;  
 3) SURFACE ROUGHNESS : Ra1.6 ;  
 4) UNITS : mm ;  
 5) DIMENSIONS TOLERANCES  
 DECIMALS : .x ±0.3 .xx ±0.2 .xxx±0.1;  
 ANGLES : ± 5°.

THIRD ANGLE PROJECTION		
APPROVED :	CUSTOMER P/N :	-
CHECKED :	SCALE :	8: 1
DRAWING :	DATE :	2020-08-27
PAGE : 1/1		

TITLE: SSMP FEMALE R/A SOLDER FOR PT-Flex-047 CABLE,50Ω  
 DRAWING NO.: 5MPF15R-A405  
 COMPANY WEBSITE: www.slkcorp.com

CUSTOMER OUTLINE DRAWING