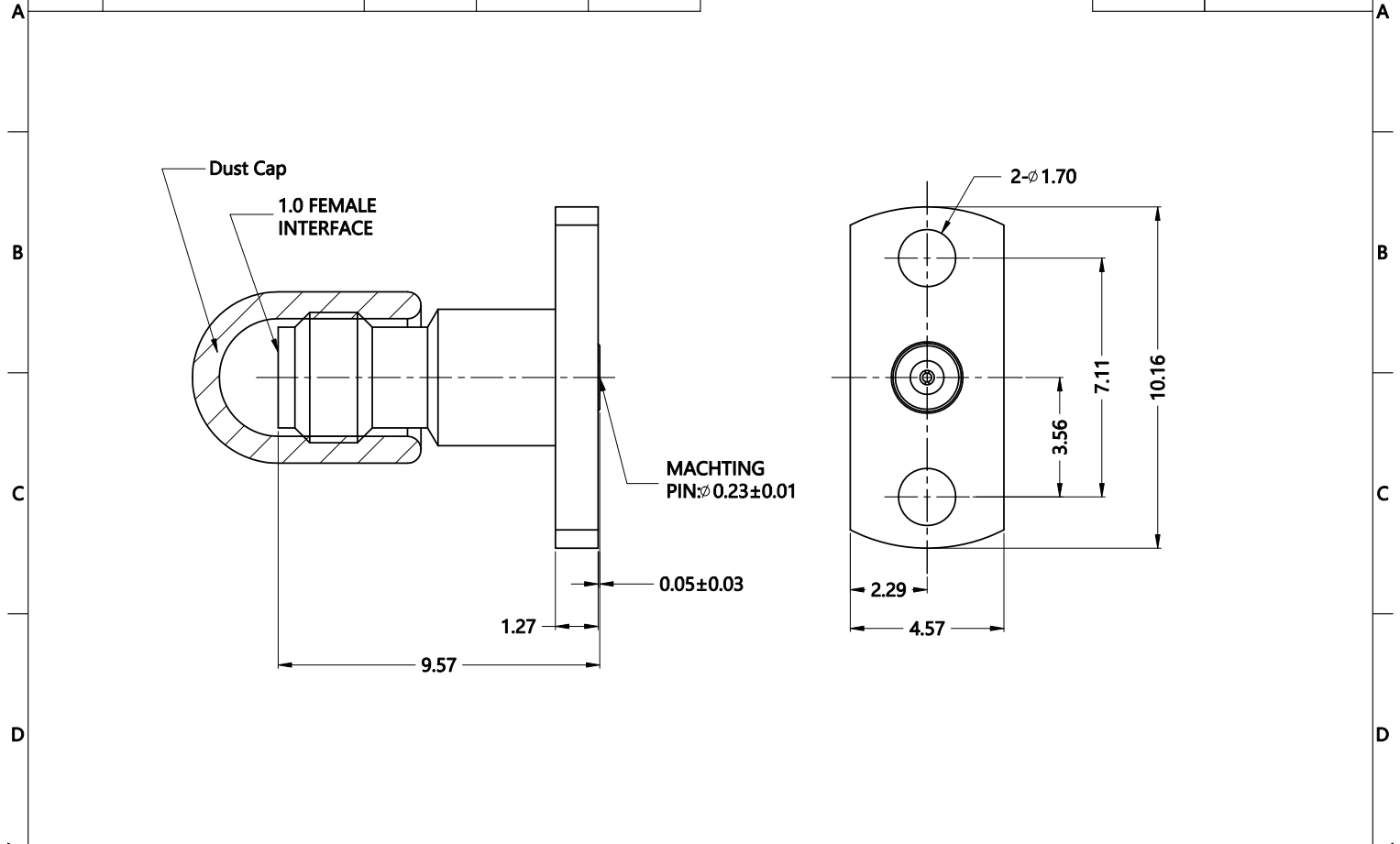


REV.	DESCRIPTION	ECN NO.	NAME	DATE
0	FIRST EDITION	N/A	LEI CHAO	2021-05-14



ALL PARTS MUST MEET TO RoHS REQUIREMENTS



MATERIALS AND PLATING) UNIT: MICRO-INCHES		
PART NAME	MATERIALS	PLATING
BODY	STAINLESS STEEL	PASSIVATION
INSULATOR	PEI	N/A
CONTACT PIN	Be-Cu C17300	GOLD 30 u"/CHEMICAL NICKEL

ELECTRICAL CHARACTERISTICS		
Impedance	50 Ω	
Voltage rating	170 V(rms)	
Frequency range	DC ~ 110 GHz	
Dielectric withstanding voltage	>500 V	
Contact resistance	Center contact	<4.0 m Ω
	Outer contact	<1.0 m Ω
Insulation resistance	>1000 M Ω	
Insertion loss	<0.5 dB	
VSWR	<1.35(SINGLE CHANNEL)	
3rd Intermodulation	N/A	

MECHANICAL CHARACTERISTICS	
Force to engage and disengage	N/A
Center contact retention force	>3 lbs
Recommended coupling torque	N/A
Coupling nut retention force	N/A
Durability	>500 cycles

ENVIRONMENTAL PARAMETER	
Temperature range	-40 $^{\circ}$ C ~ +125 $^{\circ}$ C

CUSTOMER OUTLINE DRAWING

*** CUSTOMER OUTLINE DRAWING**

UNLESS OTHERWISE SPECIFIED:
 1) EDGES: C0.15 MAX ;
 2) REMOVE ALL BURRS;
 3) SURFACE ROUGHNESS: Ra0.8 ;
 4) UNITS:mm;
 5) DIMENSIONS TOLERANCES
 DECIMALS .x \pm 0.5, .xx \pm 0.3, .xxx \pm 0.2;
 ANGLES \pm 8 $^{\circ}$.

THIRD ANGLE PROJECTION		
APPROVED:	CUSTOMER P/N:	
CHECKED:	SCALE:	5 : 1
DRAWING:	DATE:	2021-05-14
	PAGE:	1/1

SLK
— SUPERLINK —

TITLE:
1.0mm FEMALE FOR 2-HOLES FLANGE, 50 Ω

DRAWING NO.:
5T1F84S-H21

COMPANY WEBSITE : www.slkcorp.com