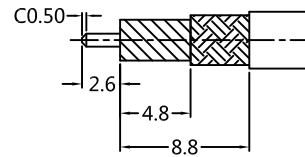


REV.	DESCRIPTION	ECN NO.	NAME	DATE
1	NEW FRAME	N/A	LDH	2020-9-2

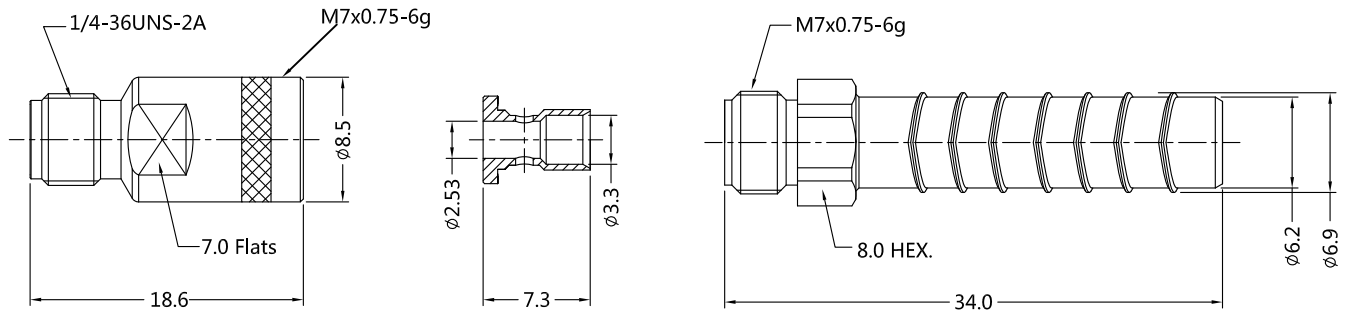


ALL PARTS MUST MEET TO RoHS REQUIREMENTS

REMARK:
1.ADDS SIZE: 10.83 mm
2.CONTACT PIN & FERRULE TO SOLDER



RECOMMENDED CABLE STRIPPING DIM'S



MATERIALS AND PLATING		UNIT: MICRO-INCHES
PART NAME	MATERIALS	PLATING
BODY/SHELL	STAINLESS STEEL	PASSIVATION
CONTACT PIN	BE-CU C17300	GOLD 50u"MIN/COPPER
INSULATOR	PEL	AMBER

ELECTRICAL CHARACTERISTICS	
IMPEDANCE	50 Ω
VOLTAGE RATING	335 V(rms)
FREQUENCY RANGE	0 ~ 26.5 GHz
DIELECTRIC WITHSTANDING VOLTAGE	750 V
CONTACT RESISTANCE	CENTER CONTACT <3.0 mΩ
	OUTER CONTACT <2.0 mΩ
INSULATION RESISTANCE	>5000 MΩ
INSERTION LOSS	ACCORDING TO THE CABLE
VSWR	< 1.20@0-26.5GHz
3RD INTERMODULATION	N/A

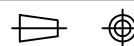
MECHANICAL CHARACTERISTICS	
FORCE TO ENGAGE AND DISENGAGE	N/A
CENTER CONTACT RETENTION FORCE	>10 lbs
COUPLING PROOF TORQUE	>15 lbs
COUPLING NUT RETENTION FORCE	>60 lbs
DURABILITY	>500 cycles

ENVIRONMENTAL PARAMETER	
TEMPERATURE RANGE	-55 °C~+125 °C
RELATIVE HUMIDITY	MIL-STD-202,METHOD 106
VIBRATION	MIL-STD-202,METHOD 204,COND D
SHOCK	MIL-STD-202,METHOD 213,COND I
CORROSION	MIL-STD-202,METHOD 101,COND B

* CUSTOMER OUTLINE DRAWING

UNLESS OTHERWISE SPECIFIED:
1) EDGES : C0.15 MAX ;
2) REMOVE ALL BURRS ;
3) SURFACE ROUGHNESS : Ra1.6 ;
4) UNITS : mm ;
5) DIMENSIONS TOLERANCES
DECIMALS : .x ±0.3 .xx ±0.2 .xxx±0.1;
ANGLES : ± 5°.

THIRD ANGLE PROJECTION



APPROVED :

CUSTOMER P/N :

CHECKED :

SCALE :

DRAWING :

LDH

DATE : 2020-9-2

PAGE : 1/1



TITLE : 3.5mm FEMALE STR FOR SLB-330-P TEST CABLE,50Ω

DRAWING NO. : 5P3F15S-A436

COMPANY WEBSITE : www.slkcorp.com

CUSTOMER OUTLINE DRAWING