
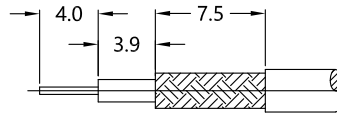


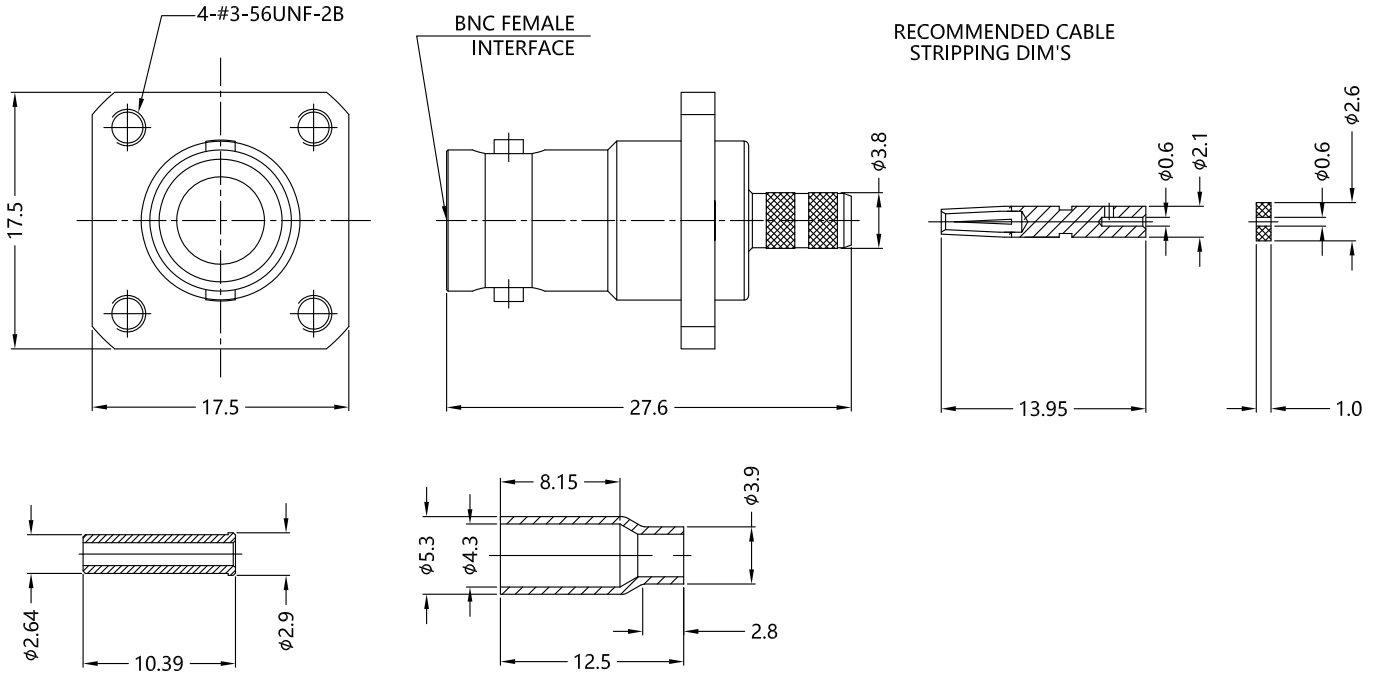
REV.	DESCRIPTION	ECN NO.	NAME	DATE	 ALL PARTS MUST MEET TO RoHS REQUIREMENTS
2	UPDATE FRAME	N/A	Kevin.Li	2021-04-13	
3	UPDATE TITLE	N/A	Kevin.Li	2021-04-14	

REMARKS:

- CONTACT PIN TO SOLDER
- CRIMP FERRULE FOR 4.8mm



RECOMMENDED CABLE STRIPPING DIM'S



MATERIALS AND PLATING		UNIT: MICRO-INCHES
PART NAME	MATERIALS	PLATING
BODY	BRASS	NICKEL PLATING
INSULATOR	PTFE	N/A
CONTACT PIN	PHOSPHOR BRONZE	GOLD PLATING
OTHER	BRASS	NICKEL PLATING

ELECTRICAL CHARACTERISTICS		
IMPEDANCE	50 Ω	
VOLTAGE RATING	500 V(rms)	
FREQUENCY RANGE	0 ~ 3 GHz	
DIELECTRIC WITHSTANDING VOLTAGE	>500 V	
CONTACT RESISTANCE	CENTER CONTACT	<1.5 mΩ
	OUTER CONTACT	<0.2 mΩ
INSULATION RESISTANCE	>5000 MΩ	
INSERTION LOSS	N/A	
RF-LEAKAGE	N/A	
VSWR	< 1.65	
3RD INTERMODULATION	N/A	

MECHANICAL CHARACTERISTICS	
FORCE TO ENGAGE AND DISENGAGE	N/A
CENTER CONTACT RETENTION FORCE	N/A
RECOMMENDED COUPLING TORQUE	N/A
COUPLING NUT RETENTION FORCE	N/A
DURABILITY	>500 cycles

ENVIRONMENTAL PARAMETER	
TEMPERATURE RANGE	-40 °C ~ +125 °C

*** CUSTOMER OUTLINE DRAWING**

UNLESS OTHERWISE SPECIFIED:

- EDGES : C0.15 MAX ;
- REMOVE ALL BURRS ;
- SURFACE ROUGHNESS : Ra1.6 ;
- UNITS : mm ;
- DIMENSIONS TOLERANCES
 DECIMALS : .x ±0.3 .xx ±0.2 .xxx±0.1;
 ANGLES : ± 5°.

THIRD ANGLE PROJECTION



APPROVED :

CUSTOMER P/N :

CHECKED :

SCALE :

DRAWING :

DATE : 2021-04-13

PAGE : 1/1



TITLE : BNC FEMALE BULKHEAD
 FOR RG174, RG316 CABLE, 50 Ω

DRAWING NO. :
 5BNF11S-A02-028

COMPANY WEBSITE : www.slkcorp.com

CUSTOMER OUTLINE DRAWING