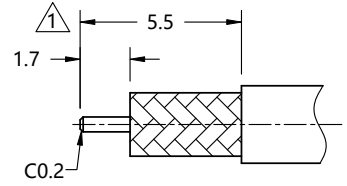


REV.	DESCRIPTION	ECN NO.	NAME	DATE
0	FIRST EDITION	N/A	Liu	2021-10-28
1	UPDATE DRAWING	N/A	Liu	2021-12-10

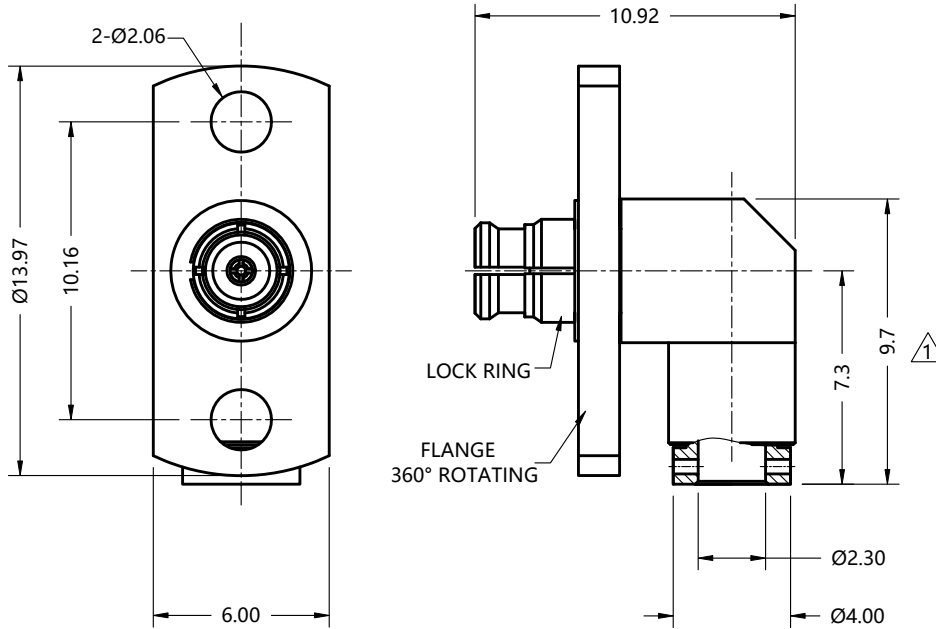


ALL PARTS MUST MEET TO RoHS REQUIREMENTS

REMARKS:  
 1.CONTACT PIN TO CAPTIVE  
 2.BODY TO SOLDER  
 3.ADDS SIZE: 1.6 mm  $\triangle 1$



RECOMMENDED CABLE STRIPPING DIM'S



MATERIALS AND PLATING		UNIT: MICRO-INCHES
PART NAME	MATERIALS	PLATING
BODY	BRASS	GOLD 50 u"/COPPER
INSULATOR	PTFE ASTM-D-1710	N/A
CONTACT PIN	BERYLLIUM COPPER	GOLD 50 u"/COPPER
OUTTACT/LOCK RING	BERYLLIUM COPPER	GOLD 50 u"/COPPER
FLANGE	STAINLESS STEEL	PASSIVATION

ELECTRICAL CHARACTERISTICS		
IMPEDANCE	50 $\Omega$	
VOLTAGE RATING	170 V(rms)	
FREQUENCY RANGE	0 ~ 40 GHz	
DIELECTRIC WITHSTANDING VOLTAGE	> 500 V	
CONTACT RESISTANCE	CENTER CONTACT	< 6.0 m $\Omega$
	OUTER CONTACT	< 2.0 m $\Omega$
INSULATION RESISTANCE	> 5000 M $\Omega$	
INSERTION LOSS	< 0.1* $\sqrt{f}$ (GHz) dB	
VSWR	< 1.35 @ DC-26.5 GHz	
	< 1.50 @ 26.5-40 GHz	
3RD INTERMODULATION	N/A	

MECHANICAL CHARACTERISTICS	
FORCE TO ENGAGE AND DISENGAGE (Full detent)	< 15 lbs (Force to engage)
	> 5 lbs (Force to disengage)
FORCE TO ENGAGE AND DISENGAGE (Limited detent)	< 10 lbs (Force to engage)
	> 2 lbs (Force to disengage)
FORCE TO ENGAGE AND DISENGAGE (Smooth bore)	< 2 lbs (Force to engage)
	> 0.5 lbs (Force to disengage)
DURABILITY	> 500 cycles

ENVIRONMENTAL PARAMETER	
TEMPERATURE RANGE	-40 °C ~ +125 °C

\* CUSTOMER OUTLINE DRAWING

UNLESS OTHERWISE SPECIFIED:  
 1) EDGES : C0.15 MAX ;  
 2) REMOVE ALL BURRS ;  
 3) SURFACE ROUGHNESS : Ra1.6 ;  
 4) UNITS : mm ;  
 5) DIMENSIONS TOLERANCES  
 DECIMALS : .x  $\pm$ 0.3 .xx  $\pm$ 0.2 .xxx  $\pm$ 0.1;  
 ANGLES :  $\pm$  5°.

THIRD ANGLE PROJECTION

APPROVED :

CUSTOMER P/N :

CHECKED :

SCALE :

2: 1

DRAWING :

DATE : 2021-12-10

PAGE : 1/1



TITLE : SMP FEMALE R/A SOLDER FOR TFLEX-405 CABLE,50 $\Omega$

DRAWING NO. : 5SPF15R-A82-012

COMPANY WEBSITE : www.slkcorp.com

CUSTOMER OUTLINE DRAWING