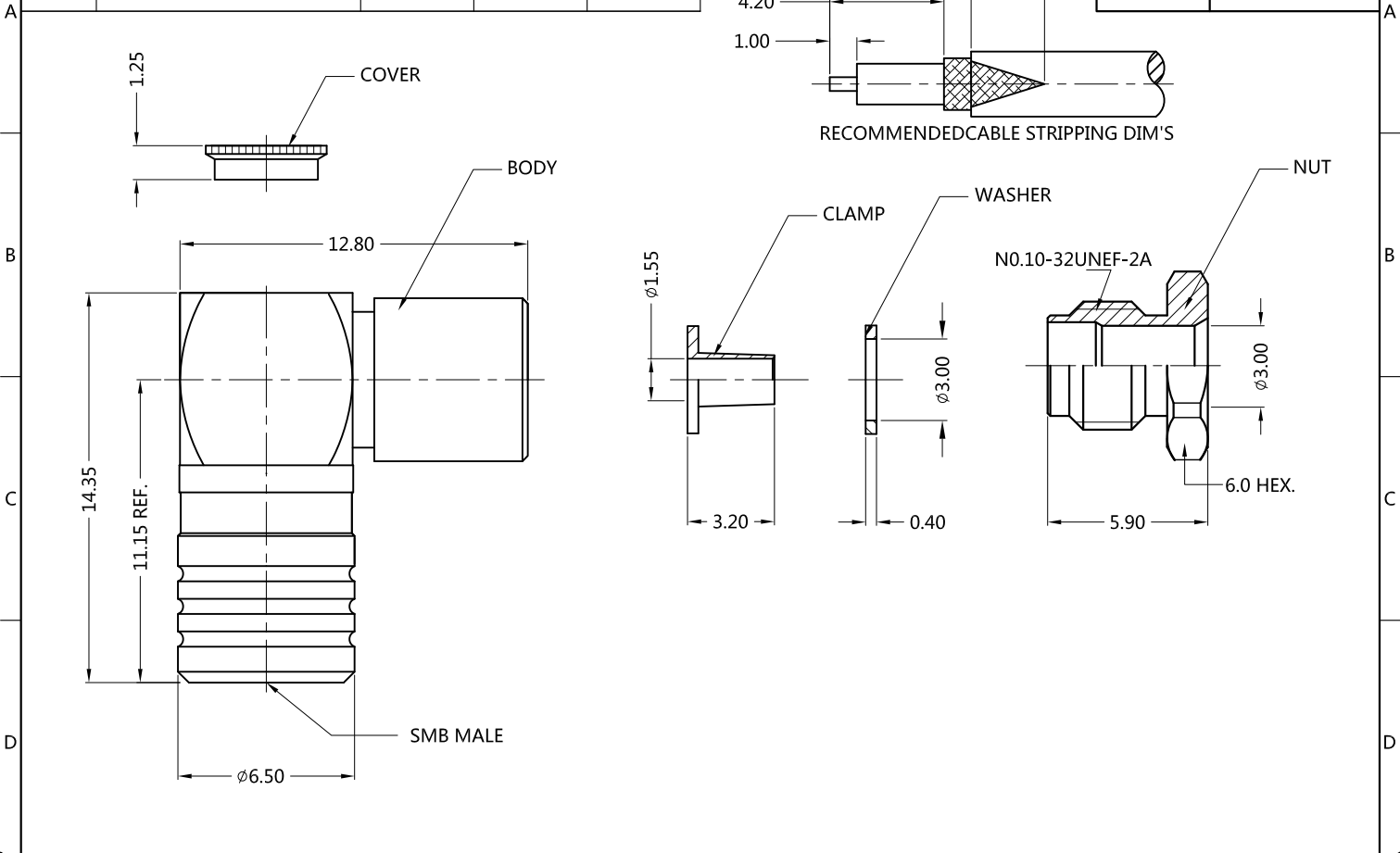


REV.	DESCRIPTION	ECN NO.	NAME	DATE		
0	FIRST EDITION	N/A	LU	2013-0-28		
1	NEW FRAME	N/A	LEI CHAO	2020-07-01		



ALL PARTS MUST MEET TO RoHS REQUIREMENTS



MATERIALS AND PLATING		UNIT: MICRO-INCHES
PART NAME	MATERIALS	PLATING
BODY	BRASS C3604	GOLD 1 u"/NICKEL/COPPER
INSULATOR	PTFE ASTM-D-1710	N/A
CONTACT PIN	BERYLLIUM COPPER	GOLD 5 u"/NICKEL/COPPER
COVER	BRASS C3602	GOLD 1 u"/NICKEL/COPPER
SHELL	BRASS C3604	GOLD 1 u"/NICKEL/COPPER
WASHER	BRASS C3604	GOLD 1 u"/NICKEL/COPPER
NUT	BRASS C3604	GOLD 1 u"/NICKEL/COPPER

ELECTRICAL CHARACTERISTICS	
IMPEDANCE	50 Ω
VOLTAGE RATING	250 V(rms)
FREQUENCY RANGE	DC ~ 4 GHz
DIELECTRIC WITHSTANDING VOLTAGE	>750 V
CONTACT RESISTANCE	CENTER CONTACT <6.0 mΩ
	OUTER CONTACT <1.0 mΩ
INSULATION RESISTANCE	>1000 MΩ
INSERTION LOSS	<0.60 dB@1.5GHz
VSWR	<1.35@3GHz
3RD INTERMODULATION	N/A

MECHANICAL CHARACTERISTICS	
FORCE TO ENGAGE AND DISENGAGE	N/A
CENTER CONTACT RETENTION FORCE	N/A
RECOMMENDED COUPLING TORQUE	N/A
COUPLING NUT RETENTION FORCE	N/A
DURABILITY	> 500 cycles

ENVIRONMENTAL CHARACTERISTICS	
TEMPERATURE RANGE	-65°C ~ +165°C
THERMAL SHOCK	US MIL- STD 202, Meth. 107, Cond. B
VIBRATION	US MIL- STD 202, Meth. 204, Cond. B
SHOCK	US MIL- STD 202, Meth. 213, Cond. B

CUSTOMER OUTLINE DRAWING

**\* CUSTOMER OUTLINE DRAWING**

UNLESS OTHERWISE SPECIFIED:  
 1) EDGES : C0.15 MAX ;  
 2) REMOVE ALL BURRS ;  
 3) SURFACE ROUGHNESS : Ra1.6 ;  
 4) UNITS : mm ;  
 5) DIMENSIONS TOLERANCES  
 DECIMALS : .x ±0.3 .xx ±0.2 .xxx±0.1;  
 ANGLES : ± 5°.

THIRD ANGLE PROJECTION		
APPROVED :	CUSTOMER P/N :	-
CHECKED :	SCALE :	4 : 1
DRAWING :	DATE :	2020-07-01
PAGE : 1/1		

TITLE : SMB MALE S/T CLAMP FOR RG174/U, RG316/U CABLE, 50 Ω  
 DRAWING NO. : 5MBM14R-A02  
 COMPANY WEBSITE : www.slkcorp.com