
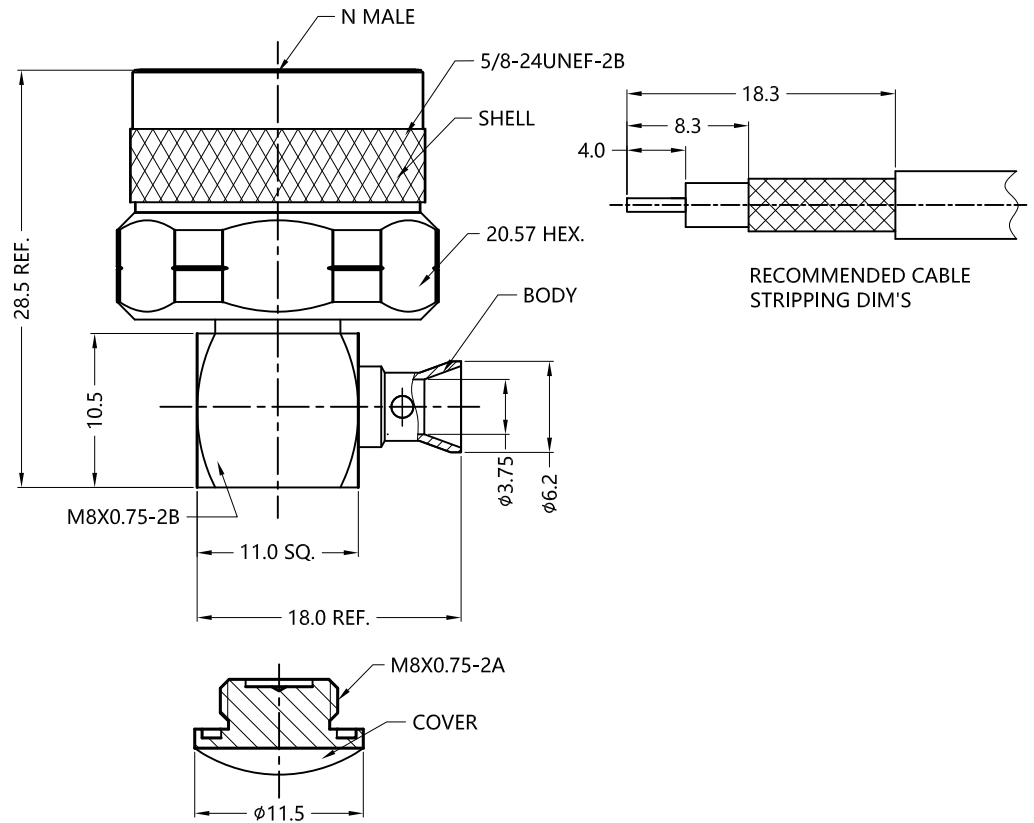


REV.	DESCRIPTION	ECN NO.	NAME	DATE	 ALL PARTS MUST MEET TO RoHS REQUIREMENTS
0	FIRST EDITONG	N/A	XU	2016-08-05	
1	FIRST EDITONG	N/A	HRWEI	2020-07-14	

NON-MAGNETIC

NOTES:
1.CONTACT PIN TO SOLDER
2.ADD SIZE: 0.8 mm



MATERIALS AND PLATING		UNIT: MICRO-INCHES
PART NAME	MATERIALS	PLATING
SHELL,BODY	NON-MAGNETIC BRASS	ALBALOY 80 u"/COPPER
INSULATOR	PTFE ASTM-D-1710	N/A
CONTACT PIN	NON-MAGNETIC PHOSPHOR BRONZE	SILVER 200 u"/COPPER
GASKET	SILICONE	RED
COVER	NON-MAGNETIC BRASS	ALBALOY 80 u"/COPPER


ELECTRICAL CHARACTERISTICS	
IMPEDANCE	50 Ω
VOLTAGE RATING	335 V(rms)
FREQUENCY RANGE	0 ~ 6 GHz
DIELECTRIC WITHSTANDING VOLTAGE	>1000 V
CONTACT RESISTANCE	CENTER CONTACT
	OUTER CONTACT
INSULATION RESISTANCE	>5000 MΩ
INSERTION LOSS	<0.1X√f GHz dB
VSWR	<1.35
3RD INTERMODULATION	N/A
MAGNETIC INDUCTION	<33 mGs

MECHANICAL CHARACTERISTICS	
FORCE TO ENGAGE AND DISENGAGE	N/A
CENTER CONTACT RETENTION FORCE	N/A
RECOMMENDED COUPLING TORQUE	9-14 in-lbs
COUPLING NUT RETENTION FORCE	> 100 lbs
DURABILITY	>500 cycles

ENVIRONMENTAL PARAMETER	
TEMPERATURE RANGE	-40 °C ~ +125 °C

*** CUSTOMER OUTLINE DRAWING**

UNLESS OTHERWISE SPECIFIED:
1) EDGES : C0.15 MAX ;
2) REMOVE ALL BURRS ;
3) SURFACE ROUGHNESS : Ra1.6 ;
4) UNITS : mm ;
5) DIMENSIONS TOLERANCES
DECIMALS : .x ±0.3 .xx ±0.2 .xxx±0.1;
ANGLES : ± 5°.

THIRD ANGLE PROJECTION		 SLK SUPERLINK
APPROVED :	CUSTOMER P/N :	
CHECKED :	SCALE :	
DRAWING :	DATE :	
PAGE : 1/1		TITLE : N MALE R/A SOLDER FOR TFLEX-402 CABLE,50Ω DRAWING NO. : NM-5NCM15R-A81-002 COMPANY WEBSITE : www.slkcorp.com

CUSTOMER OUTLINE DRAWING