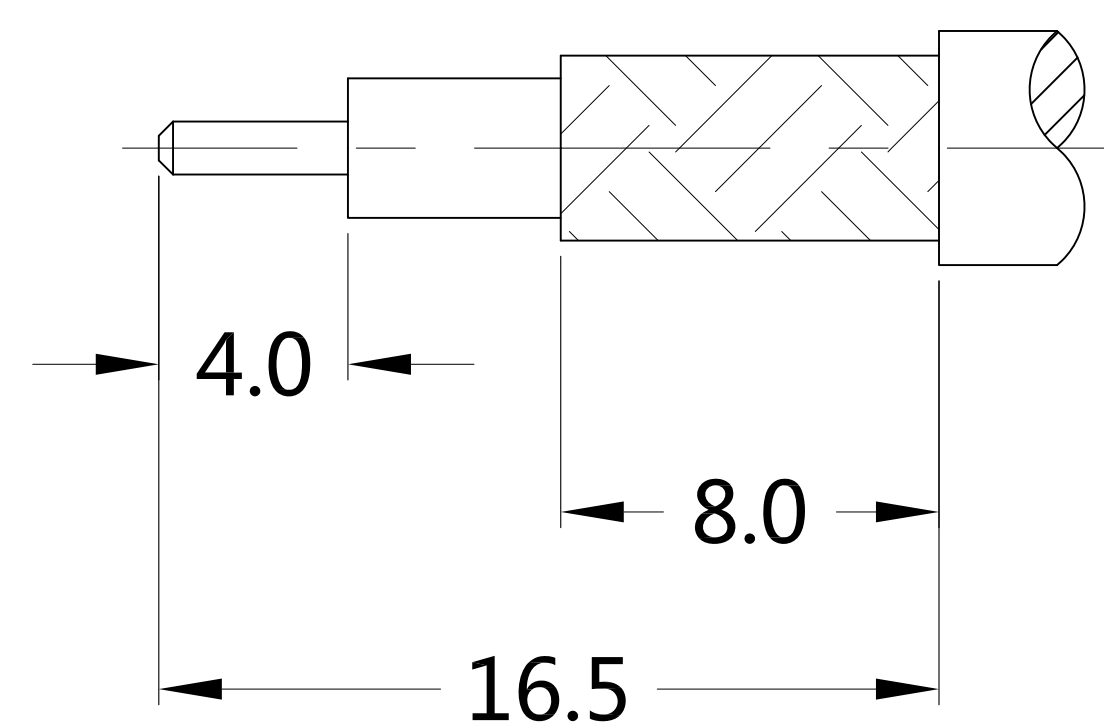
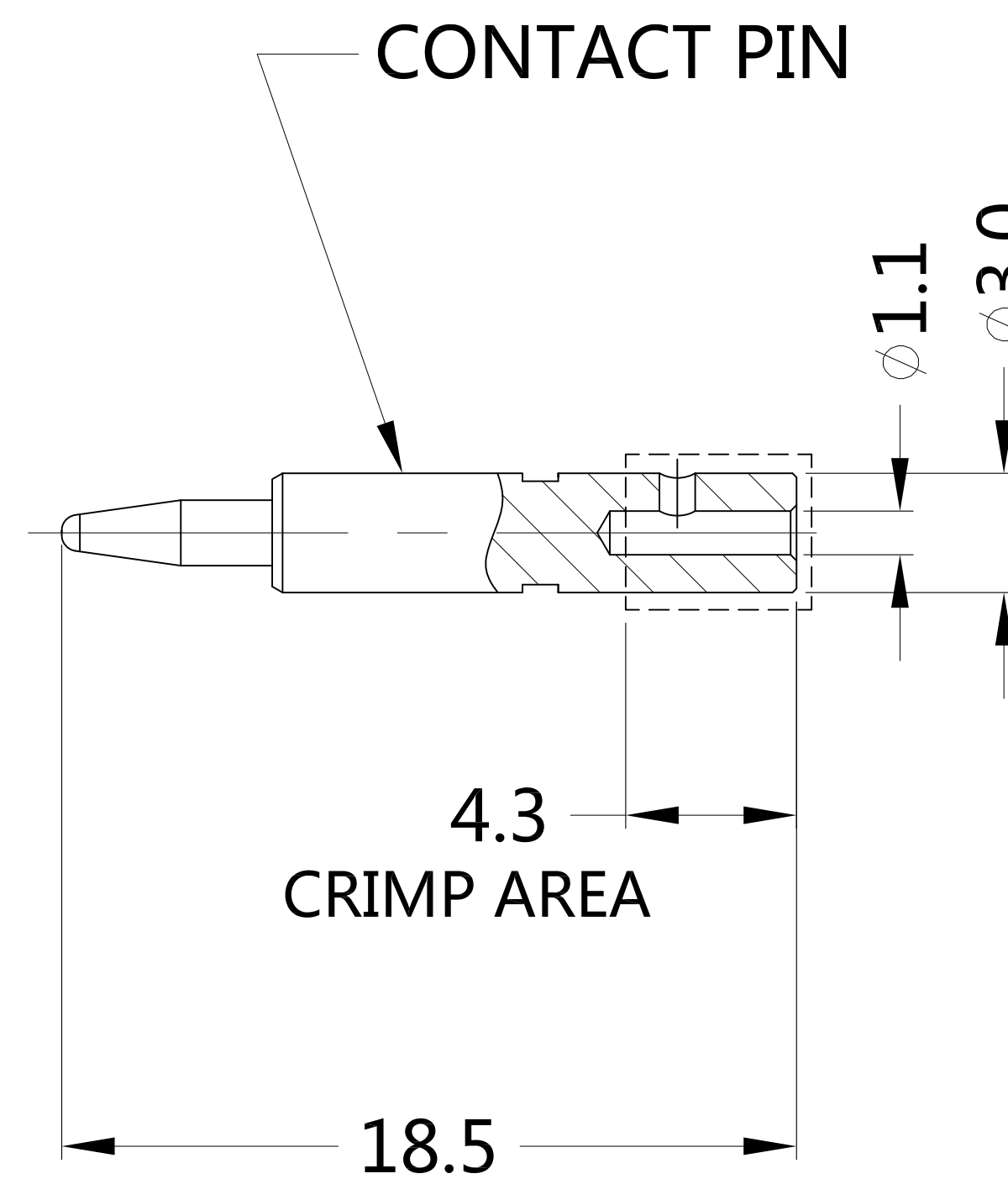
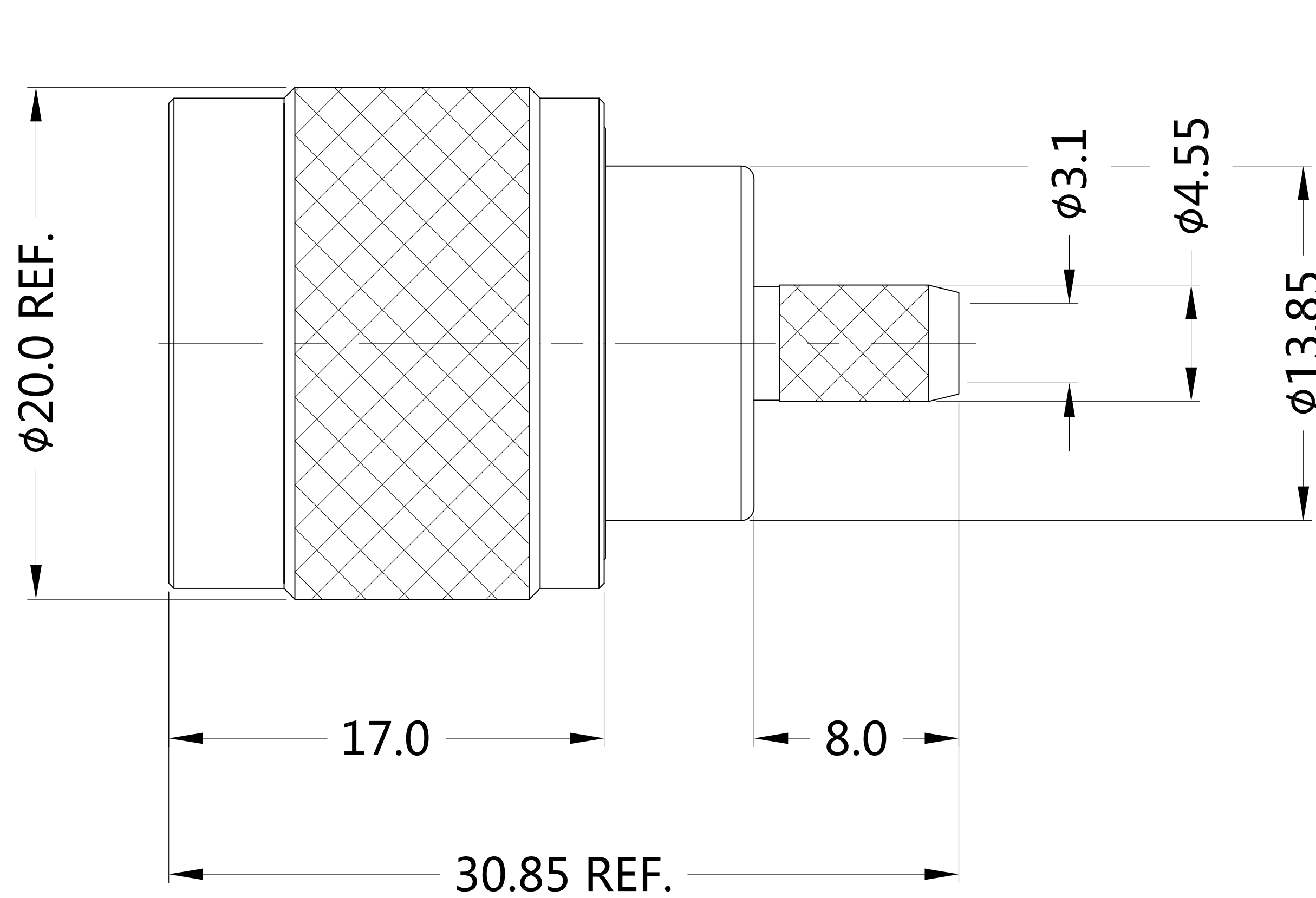


REV.	DESCRIPTION	ECN NO.	NAME	DATE
1	ADD MATERIALS AND PLATING	N/A	Dong	2014-05-22
2	NEW FRAME	N/A	JASON	2020-07-06

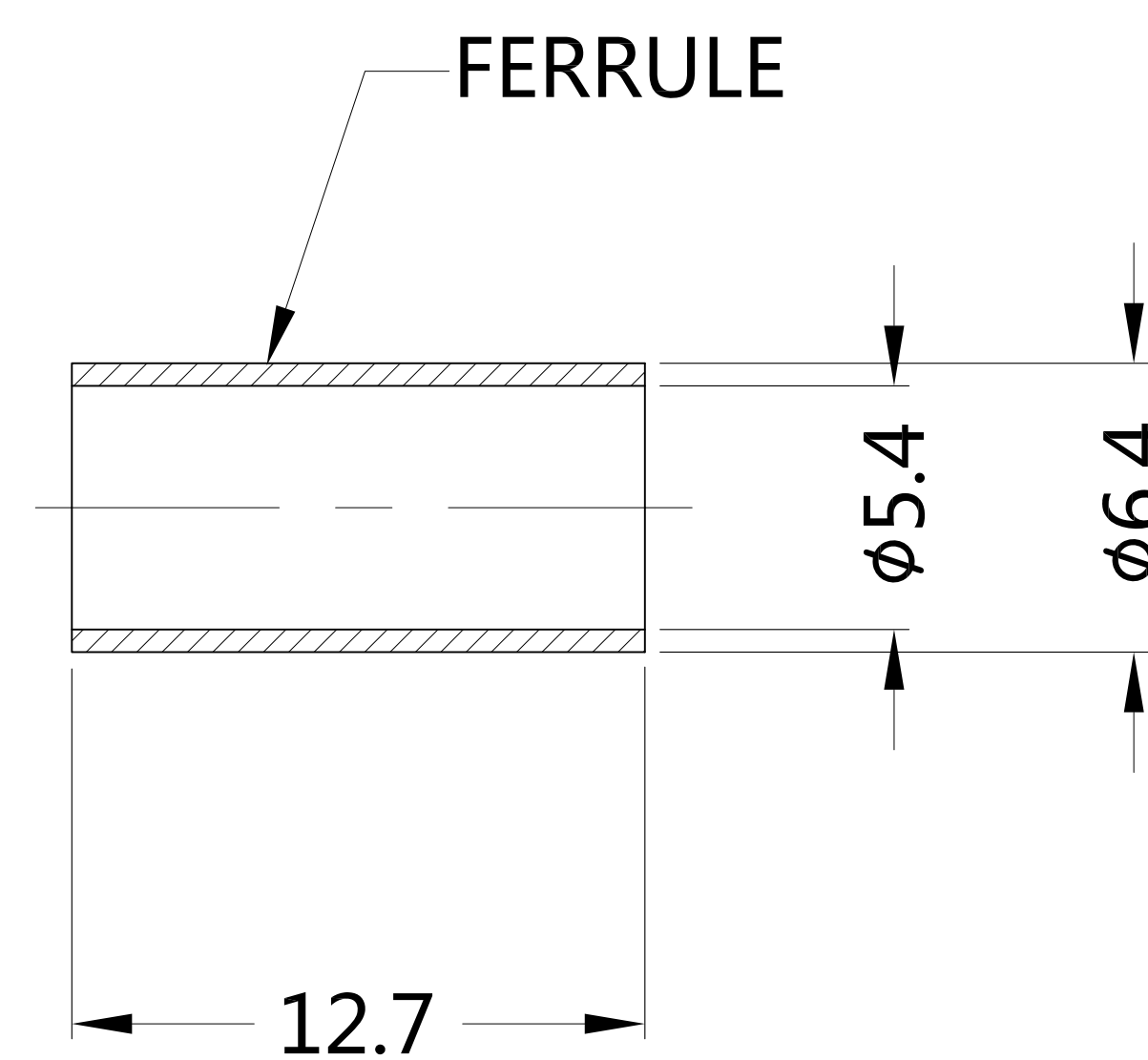
REMARKS:  
 1.CRIMP CONTACT PIN FOR .102" HEX.  
 2.CRIMP FERRULE FOR .217" HEX.



ALL PARTS MUST MEET TO RoHS REQUIREMENTS



RECOMMENDED CABLE STRIPPING DIM'S



MATERIALS AND PLATING		UNIT: MICRO-INCHES
PART NAME	MATERIALS	PLATING
BODY/SHELL	BRASS C3604	SILVER 40 u"/COPPER
CONTACT PIN	BRASS C3604	SILVER 40 u"/COPPER
INSULATOR	TEFLON MIL-P-19468	N/A
FERRULE	BRASS	SILVER 40 u"/COPPER

ELECTRICAL CHARACTERISTICS		
IMPEDANCE	50 Ω	
VOLTAGE RATING	1000 V(rms)	
FREQUENCY RANGE	DC ~ 11 GHz	
DIELECTRIC WITHSTANDING VOLTAGE	>2500 V	
CONTACT RESISTANCE	CENTER CONTACT	<1.0 mΩ
	OUTER CONTACT	<0.2 mΩ
INSULATION RESISTANCE	>5000 MΩ	
INSERTION LOSS	ACCORDING TO THE CABLE	
VSWR	<1.30 @DC~4 GHz	

MECHANICAL CHARACTERISTICS	
FORCE TO ENGAGE AND DISENGAGE	N/A
CENTER CONTACT RETENTION FORCE	N/A
RECOMMENDED COUPLING TORQUE	9~14 in.lbs
COUPLING NUT RETENTION FORCE	> 100 lbs
DURABILITY	> 500 cycles

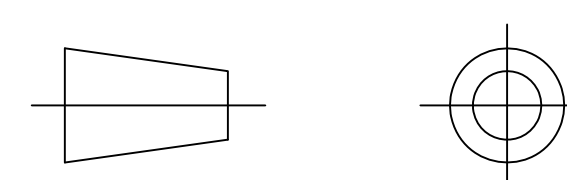
ENVIRONMENTAL PARAMETER	
TEMPERATURE RANGE	-40 °C ~ +125 °C

\* CUSTOMER OUTLINE DRAWING

UNLESS OTHERWISE SPECIFIED:

- EDGES : C0.15 MAX ;
- REMOVE ALL BURRS ;
- SURFACE ROUGHNESS : Ra1.6 ;
- UNITS : mm ;
- DIMENSIONS TOLERANCES  
 DECIMALS : .x ±0.3 .xx ±0.2 .xxx±0.1 ;  
 ANGLES : ± 5°.

THIRD ANGLE PROJECTION



APPROVED :

CUSTOMER P/N :

CHECKED :

SCALE :

1 : 1

DRAWING :

JASON

DATE : 2020-07-06

PAGE : 1/1



TITLE : N MALE S/T CRIMP FOR RG-58C/U CABLE, 50Ω

DRAWING NO. : 5NCM11S-A41-007

COMPANY WEBSITE : www.slkcorp.com

CUSTOMER OUTLINE DRAWING