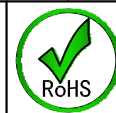
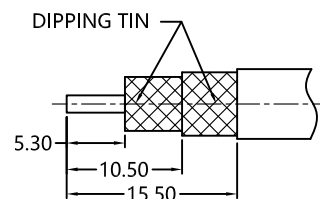


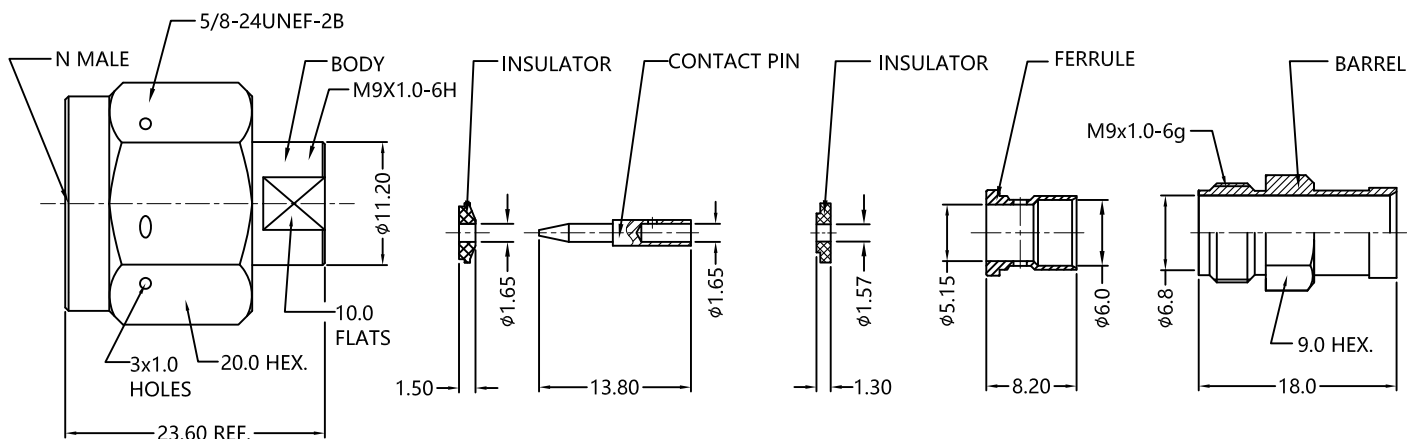
REV.	DESCRIPTION	ECN NO.	NAME	DATE
2	NEW FRAME	N/A	GUO	2020-07-23



ALL PARTS MUST MEET TO RoHS REQUIREMENTS



RECOMMENDED CABLE STRIPPING DIM'S
ADDS SIZE:11.5mm



MATERIALS AND PLATING		UNIT: MICRO-INCHES
PART NAME	MATERIALS	PLATING
BODY/SHELL	STAINLESS STEEL303	PASSIVATION
INSULATOR	PTFE ASTM-D-1710	N/A
CONTACT PIN	BE-CU C17300	GOLD PL.50 u"/NICKEL/COPPER
FERRULE	BRASS C3604	GOLD PL.10 u"/NICKEL/COPPER
BARREL	STAINLESS STEEL303	PASSIVATION

ELECTRICAL CHARACTERISTICS	
IMPEDANCE	50 Ω
VOLTAGE RATING	1000 V(rms)
FREQUENCY RANGE	0 ~ 18 GHz
DIELECTRIC WITHSTANDING VOLTAGE	>1500 V
CONTACT RESISTANCE	CENTER CONTACT
	OUTER CONTACT
INSULATION RESISTANCE	>5000 MΩ
INSERTION LOSS	ACCORDING TO THE CABLE
VSWR	<1.3
3RD INTERMODULATION	N/A

MECHANICAL CHARACTERISTICS	
FORCE TO ENGAGE AND DISENGAGE	N/A
CENTER CONTACT RETENTION FORCE	N/A
RECOMMENDED COUPLING TORQUE	9-14 in-lbs
COUPLING NUT RETENTION FORCE	>100 lbs
DURABILITY	>500 cycles

ENVIRONMENTAL PARAMETER	
TEMPERATURE RANGE	-40 °C ~ +125 °C
THERMAL SHOCK	US MIL- STD 202, Meth. 107, Cond. B
VIBRATION	US MIL- STD 202, Meth. 204, Cond. B
SHOCK	US MIL- STD 202, Meth. 213, Cond. I
CLIMATIC CLASS	IEC 60068 65/165/21

*** CUSTOMER OUTLINE DRAWING**

- UNLESS OTHERWISE SPECIFIED:
 1) EDGES : C0.15 MAX ;
 2) REMOVE ALL BURRS ;
 3) SURFACE ROUGHNESS : Ra1.6 ;
 4) UNITS : mm ;
 5) DIMENSIONS TOLERANCES
 DECIMALS : .x ±0.3 .xx ±0.2 .xxx±0.1;
 ANGLES : ± 5°.

THIRD ANGLE PROJECTION



APPROVED :

CUSTOMER P/N :

CHECKED :

SCALE :

1 : 1

DRAWING :

GUO

DATE : 2020-07-23

PAGE : 1/1



TITLE : N MALE S/T SOLDER FOR SFT-304 CABLE,50Ω

DRAWING NO. : 5NCM15S-A71-008

COMPANY WEBSITE : www.slkcorp.com

CUSTOMER OUTLINE DRAWING