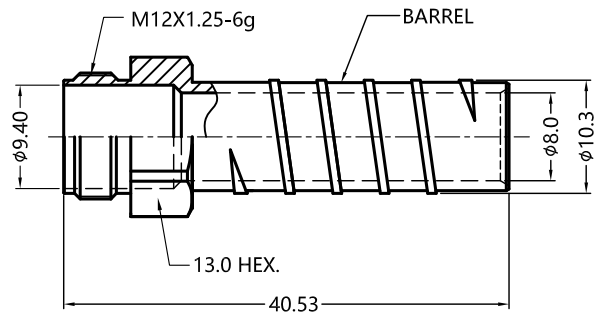
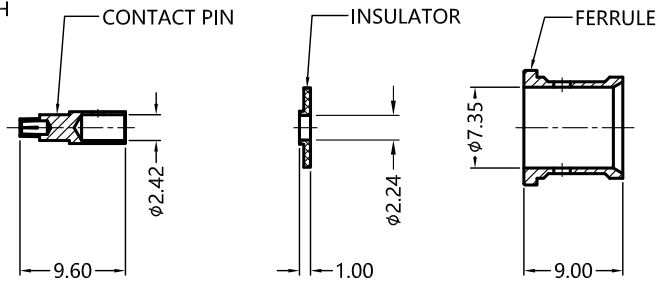
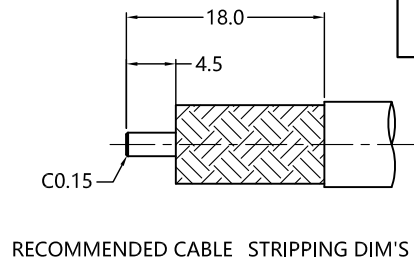
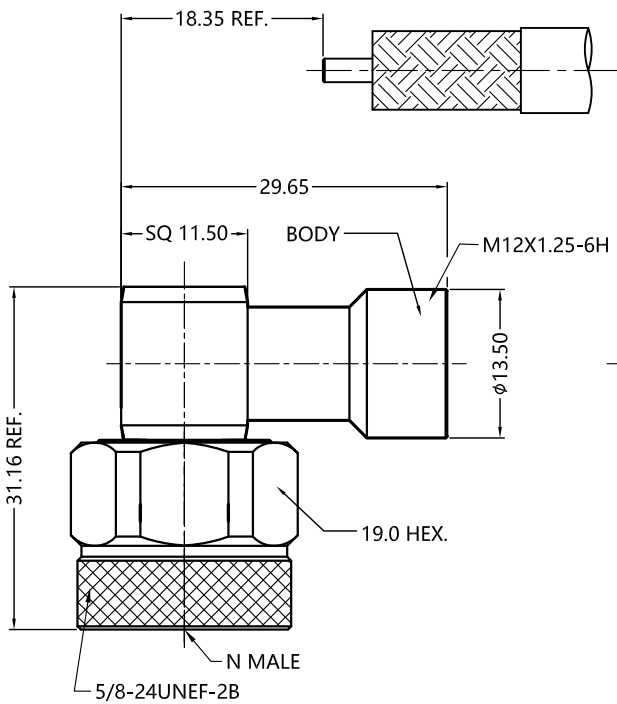


REV.	DESCRIPTION	ECN NO.	NAME	DATE
3	NEW FRAME	N/A	GUO	2020-07-27



ALL PARTS MUST MEET TO RoHS REQUIREMENTS



MATERIALS AND PLATING		UNIT: MICRO-INCHES
PART NAME	MATERIALS	PLATING
BODY	STAINLESS STEEL	PASSIVATION
INSULATOR	PTFE ASTM-D-1710	N/A
CONTACT PIN	BE-CU C17300	GOLD PL. 50 u"/NICKEL/COPPER
GASKET	SILICONE	N/A
FERRULE	BRASS C3604	GOLD PL. 10 u"/NICKEL/COPPER

ELECTRICAL CHARACTERISTICS	
IMPEDANCE	50 Ω
VOLTAGE RATING	500 V(rms)
FREQUENCY RANGE	0 ~ 18 GHz
DIELECTRIC WITHSTANDING VOLTAGE	>1500 V
CONTACT RESISTANCE	CENTER CONTACT
	OUTER CONTACT
INSULATION RESISTANCE	>5000 MΩ
INSERTION LOSS	N/A
VSWR	<1.35
3RD INTERMODULATION	N/A

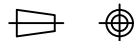
MECHANICAL CHARACTERISTICS	
FORCE TO ENGAGE AND DISENGAGE	<6 lbs
CENTER CONTACT RETENTION FORCE	>6 lbs
RECOMMENDED COUPLING TORQUE	9-14 in-lbs
COUPLING NUT RETENTION FORCE	>100 lbs
DURABILITY	>500 cycles

ENVIRONMENTAL PARAMETER	
TEMPERATURE RANGE	-45 °C~+125 °C
THERMAL SHOCK	US MIL- STD 202, Meth. 107,Cond. B
VIBRATION	US MIL- STD 202, Meth. 204,Cond. B
SHOCK	US MIL- STD 202, Meth. 213,Cond. I
CLIMATIC CLASS	IEC 60068 65/165/21
WATERPROOF	IP67

* CUSTOMER OUTLINE DRAWING

UNLESS OTHERWISE SPECIFIED:
 1) EDGES : C0.15 MAX ;
 2) REMOVE ALL BURRS ;
 3) SURFACE ROUGHNESS : Ra1.6 ;
 4) UNITS : mm ;
 5) DIMENSIONS TOLERANCES
 DECIMALS : .x ±0.3 .xx ±0.2 .xxx±0.1;
 ANGLES : ± 5°.

THIRD ANGLE PROJECTION



APPROVED :	CUSTOMER P/N :
CHECKED :	SCALE :
DRAWING :	DATE :
GUO	2020-07-27
	PAGE : 1/1



TITLE : N MALE R/A SOLDER FOR HF-290 CABLE,50Ω
 DRAWING NO. : 5NCM15R-A210-004
 COMPANY WEBSITE : www.slkcorp.com

CUSTOMER OUTLINE DRAWING