
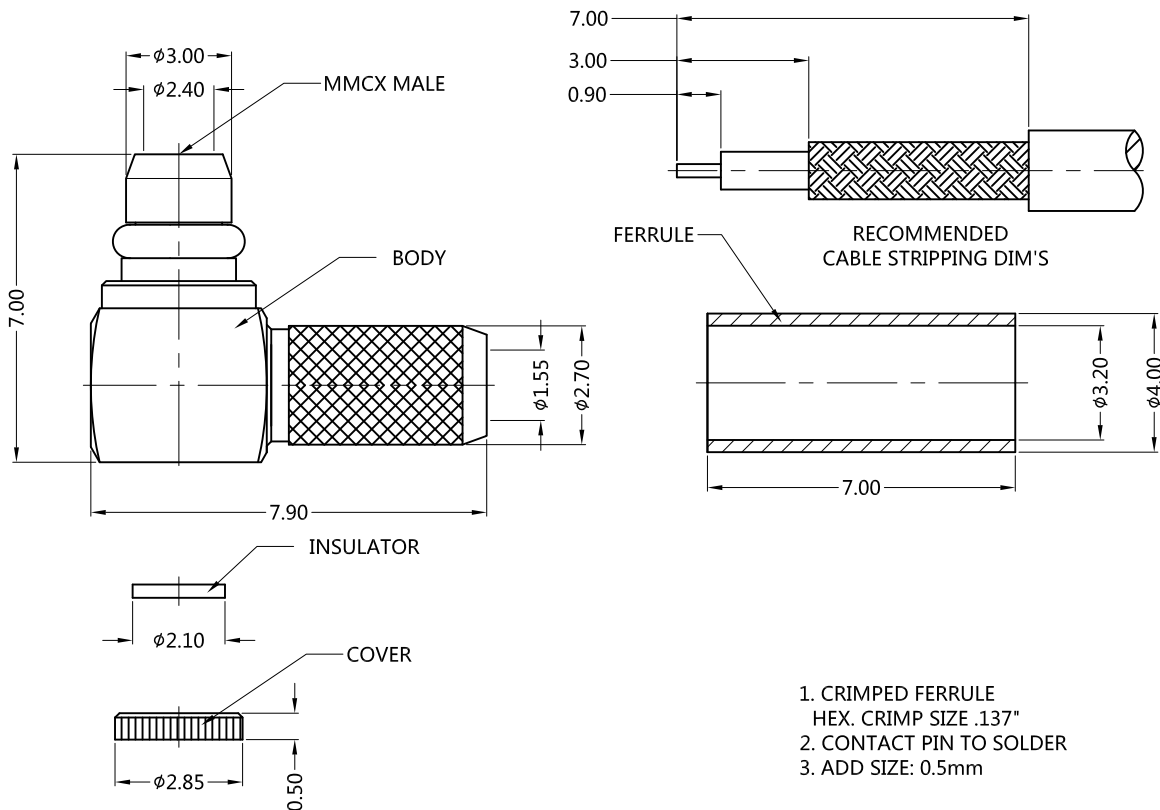


REV.	DESCRIPTION	ECN NO.	NAME	DATE	 ALL PARTS MUST MEET TO RoHS REQUIREMENTS
0	FIRST EDITION	N/A	YAN	2014-06-23	
1	NEW FRAME	N/A	LEI CHAO	2020-07-08	



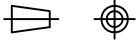

MATERIALS AND PLATING		UNIT: MICRO-INCHES
PART NAME	MATERIALS	PLATING
BODY	BRASS C3604	GOLD 3 u"/NICKEL/COPPER
CONTACT PIN	BRASS C3604	GOLD 30 u"/NICKEL/COPPER
INSULATOR	PTFE ASTM-D-1710	N/A
COVER	BRASS C3602	GOLD 3 u"/NICKEL/COPPER
FERRULE	BRASS C3604	GOLD 3 u"/NICKEL/COPPER

ELECTRICAL CHARACTERISTICS	
IMPEDANCE	50 Ω
VOLTAGE RATING	170 V(rms)
FREQUENCY RANGE	DC ~ 3 GHz
DIELECTRIC WITHSTANDING VOLTAGE	> 500 V
CONTACT RESISTANCE	CENTER CONTACT
	OUTER CONTACT
INSULATION RESISTANCE	> 1000 MΩ
INSERTION LOSS	N/A
VSWR	< 1.25
3RD INTERMODULATION	N/A

MECHANICAL CHARACTERISTICS	
FORCE TO ENGAGE AND DISENGAGE	N/A
CENTER CONTACT RETENTION FORCE	> 2.25 lbs
RECOMMENDED COUPLING TORQUE	N/A
COUPLING NUT RETENTION FORCE	N/A
DURABILITY	> 500 cycles

ENVIRONMENTAL PARAMETER	
TEMPERATURE RANGE	-55 °C~+155 °C

*** CUSTOMER OUTLINE DRAWING**

UNLESS OTHERWISE SPECIFIED: 1) EDGES : C0.15 MAX ; 2) REMOVE ALL BURRS ; 3) SURFACE ROUGHNESS : Ra1.6 ; 4) UNITS : mm ; 5) DIMENSIONS TOLERANCES DECIMALS : .x ±0.3 .xx ±0.2 .xxx±0.1; ANGLES : ± 5°.	THIRD ANGLE PROJECTION			
	APPROVED :	CUSTOMER P/N :		
	CHECKED :	SCALE :	DRAWING NO. :	5MCM11R-A02-025
	DRAWING :	DATE : 2020-07-08	COMPANY WEBSITE : www.slkcorp.com	

CUSTOMER OUTLINE DRAWING