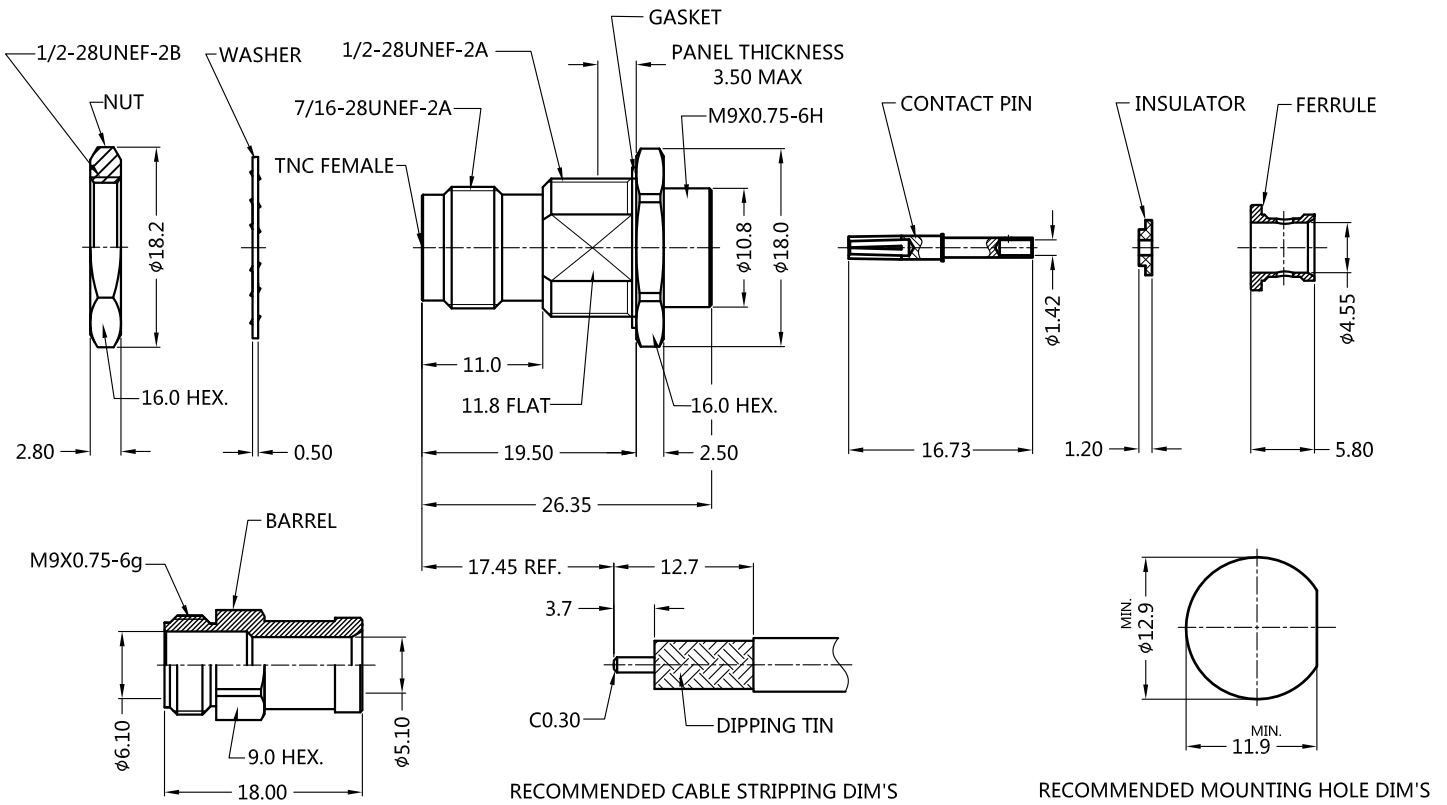


REV.	DESCRIPTION	ECN NO.	NAME	DATE					
0	FIRST EDITION	N/A	Liu	2020-06-09					



ALL PARTS MUST MEET TO RoHS REQUIREMENTS

REMARK:
1. ADDS SIZE: 17.45mm
2. CONTACT PIN&FERRULE TO SOLDER



MATERIALS AND PLATING		UNIT: MICRO-INCHES
PART NAME	MATERIALS	PLATING
BODY	STAINLESS STEEL	PASSIVATION
INSULATOR	PTFE ASTM-D-1710	N/A
CONTACT PIN	Be-Cu	GOLD 50 u"/ NICKEL/COPPER
FERRULE	BRASS C3604	GOLD 10 u"/ NICKEL/COPPER
BARREL	STAINLESS STEEL	PASSIVATION
NUT/WASHER	STAINLESS STEEL	PASSIVATION

ELECTRICAL CHARACTERISTICS		
IMPEDANCE	50 Ω	
VOLTAGE RATING	N/A	
FREQUENCY RANGE	0 ~ 18 GHz	
DIELECTRIC WITHSTANDING VOLTAGE	> 1500 V	
CONTACT RESISTANCE	CENTER CONTACT	<1.5 mΩ
	OUTER CONTACT	<0.2 mΩ
INSULATION RESISTANCE	>5000 MΩ	
INSERTION LOSS	<0.05x \sqrt{F} (GHz) dB	
VSWR	<1.30	
3RD INTERMODULATION	N/A	

MECHANICAL CHARACTERISTICS	
FORCE TO ENGAGE AND DISENGAGE	N/A
CENTER CONTACT RETENTION FORCE	N/A
RECOMMENDED COUPLING TORQUE	N/A
COUPLING NUT RETENTION FORCE	N/A
DURABILITY	> 500 cycles

ENVIRONMENTAL PARAMETER	
TEMPERATURE RANGE	-40 °C ~ +125 °C
Vibration	MIL-STD 202G, Meth 204, Cond B
Shock	MIL-STD 202G, Meth 213, Cond G
Thermal Shock	MIL-STD 202G, Meth 107, Cond B

* CUSTOMER OUTLINE DRAWING

UNLESS OTHERWISE SPECIFIED:
1) EDGES : C0.15 MAX ;
2) REMOVE ALL BURRS ;
3) SURFACE ROUGHNESS : Ra1.6 ;
4) UNITS : mm ;
5) DIMENSIONS TOLERANCES
DECIMALS : .x ±0.3 .xx ±0.2 .xxx±0.1;
ANGLES : ± 5°.

THIRD ANGLE PROJECTION		
APPROVED :	CUSTOMER P/N :	-
CHECKED :	SCALE :	-
DRAWING :	DATE :	2020-05-22
	PAGE :	1/1

TITLE : TNC FEMALE BULKHEAD S/T FOR HF-190 CABLE
DRAWING NO. : 5TCF15S-A231
COMPANY WEBSITE : www.slkcorp.com

CUSTOMER OUTLINE DRAWING