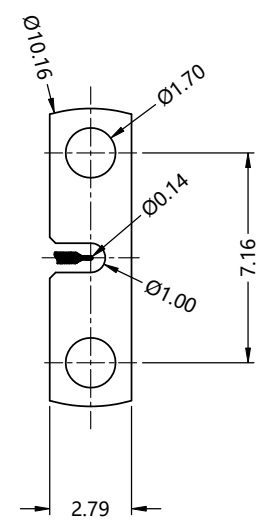
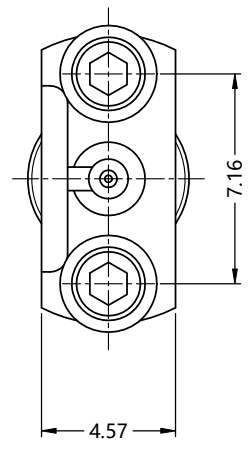
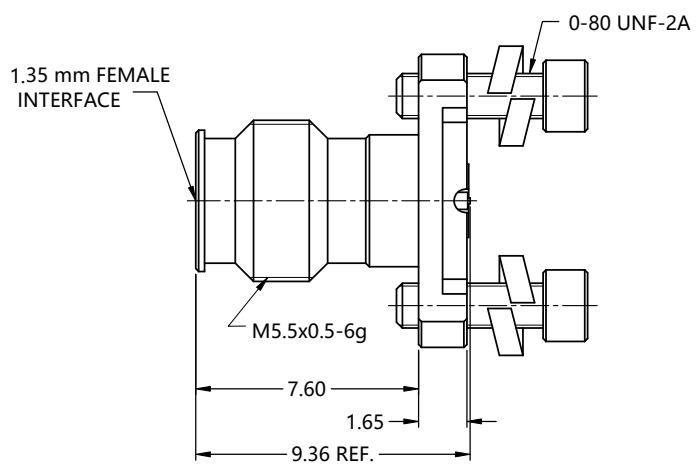


| REV. | DESCRIPTION    | ECN NO. | NAME     | DATE       |
|------|----------------|---------|----------|------------|
| 0    | FIRST EDITION  | N/A     | LEI CHAO | 2021-04-23 |
| 1    | UPDATE DRAWING | N/A     | Liu      | 2021-09-07 |



ALL PARTS MUST MEET TO RoHS REQUIREMENTS



RECOMMEND PCB MOUNTING

| MATERIALS AND PLATING |                 | UNIT: MICRO-INCHES            |
|-----------------------|-----------------|-------------------------------|
| PART NAME             | MATERIALS       | PLATING                       |
| BODY                  | STAINLESS STEEL | PASSIVATION                   |
| INSULATOR             | PEEK            | N/A                           |
| CONTACT PIN           | Be-Cu C17300    | GOLD 50u"/ NICKEL 30u"/COPPER |

| ELECTRICAL CHARACTERISTICS      |                      |
|---------------------------------|----------------------|
| IMPEDANCE                       | 50 Ω                 |
| VOLTAGE RATING                  | 150 V(rms)           |
| FREQUENCY RANGE                 | DC ~ 90 GHz          |
| DIELECTRIC WITHSTANDING VOLTAGE | > 500 V              |
| CONTACT RESISTANCE              | CENTER CONTACT       |
|                                 | OUTER CONTACT        |
| INSULATION RESISTANCE           | > 1000 MΩ            |
| INSERTION LOSS                  | < 0.1*√F (GHz) dB    |
| VSWR                            | < 1.50 @ DC ~ 90 GHz |
| 3RD INTERMODULATION             | N/A                  |

| MECHANICAL CHARACTERISTICS     |              |
|--------------------------------|--------------|
| FORCE TO ENGAGE AND DISENGAGE  | N/A          |
| CENTER CONTACT RETENTION FORCE | > 4 lbs(18N) |
| RECOMMENDED COUPLING TORQUE    | N/A          |
| COUPLING NUT RETENTION FORCE   | N/A          |
| DURABILITY                     | > 500 cycles |

| ENVIRONMENTAL PARAMETER |                  |
|-------------------------|------------------|
| TEMPERATURE RANGE       | -40 °C ~ +125 °C |

\* CUSTOMER OUTLINE DRAWING

UNLESS OTHERWISE SPECIFIED:  
 1) EDGES : C0.15 MAX ;  
 2) REMOVE ALL BURRS ;  
 3) SURFACE ROUGHNESS : Ra1.6 ;  
 4) UNITS : mm ;  
 5) DIMENSIONS TOLERANCES  
 DECIMALS : .x ±0.3 .xx ±0.2 .xxx ±0.1;  
 ANGLES : ± 5°.

|                        |                |
|------------------------|----------------|
| THIRD ANGLE PROJECTION |                |
| APPROVED :             | CUSTOMER P/N : |
| CHECKED :              | SCALE :        |
| DRAWING :              | DATE :         |
| PAGE : 1/1             |                |

TITLE : 1.35mm FEMALE S/T WITH 2 HOELS FLANGE, FOR PCB VERTICAL LAUNCH CONNECTOR,50Ω  
 DRAWING NO. : 5T2F80S-H21  
 COMPANY WEBSITE : www.slkcorp.com

CUSTOMER OUTLINE DRAWING