
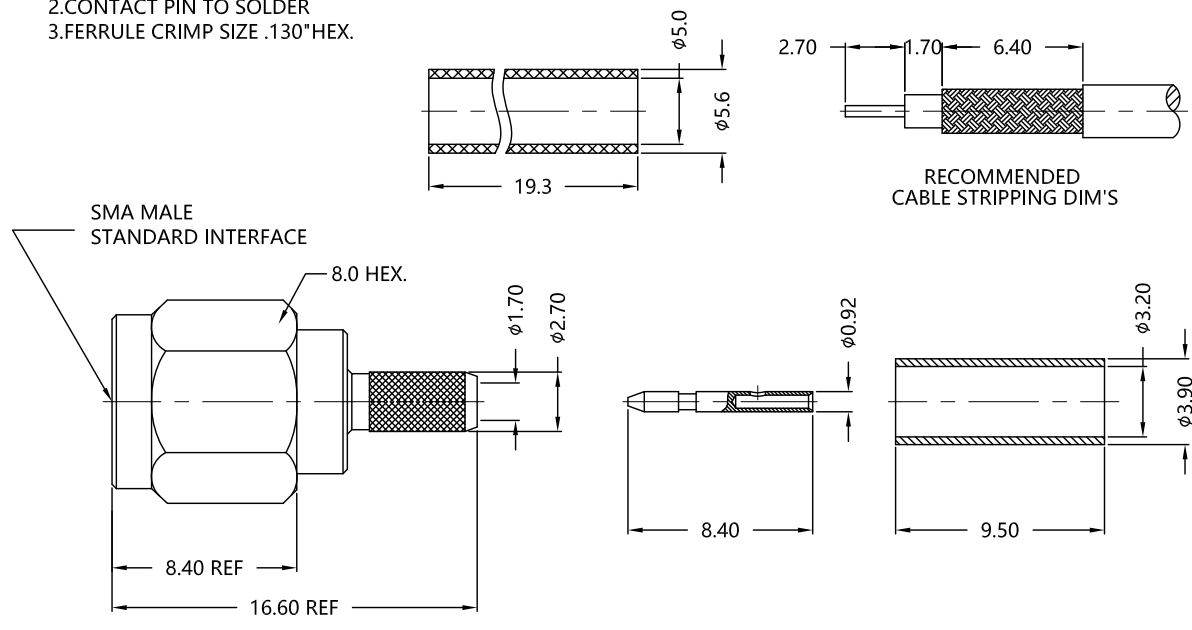


REV.	DESCRIPTION	ECN NO.	NAME	DATE	 ALL PARTS MUST MEET TO RoHS REQUIREMENTS
0	FIRST EDITION	N/A	LTZ	2019-07-17	
1	UPDATE THE DRAWING FRAME	N/A	PY	2020-06-20	

NOTES:
 1.ADDS SIZE: 6.4mm.
 2.CONTACT PIN TO SOLDER
 3.FERRULE CRIMP SIZE .130"HEX.



MATERIALS AND PLATING		UNIT: MICRO-INCHES
PART NAME	MATERIALS	PLATING
BODY/SHELL	BRASS C3604	GOLD 3u" MIN. /NICKEL /COPPER
INSULATOR	PTFE ASTM-D-1710	N/A
CONTACT PIN	BRASS C3604	GOLD 3u" MIN. /NICKEL /COPPER


ELECTRICAL CHARACTERISTICS	
IMPEDANCE	50 Ω
VOLTAGE RATING	175V(rms)
FREQUENCY RANGE	0 ~ 6 GHz
DIELECTRIC WITHSTANDING VOLTAGE	>500 V
CONTACT RESISTANCE	CENTER CONTACT <3.0 mΩ
	OUTER CONTACT <2.0 mΩ
INSULATION RESISTANCE	>5000 MΩ
INSERTION LOSS	N/A
VSWR	< 1.3
3RD INTERMODULATION	N/A

MECHANICAL CHARACTERISTICS	
FORCE TO ENGAGE AND DISENGAGE	N/A
CENTER CONTACT RETENTION FORCE	N/A
RECOMMENDED COUPLING TORQUE	7-10 in-lbs
COUPLING NUT RETENTION FORCE	>60 lbs
DURABILITY	>500cycles

ENVIRONMENTAL PARAMETER	
TEMPERATURE RANGE	-55 °C~+125 °C
Relative Humidity	MIL-STD-202,Method 106
Vibration	MIL-STD-202,Method 204,Cond D
Shock	MIL-STD-202,Method 213,Cond I
Corrosion	MIL-STD-202,Method 101,Cond B

*** CUSTOMER OUTLINE DRAWING**

UNLESS OTHERWISE SPECIFIED:
 1) EDGES : C0.15 MAX ;
 2) REMOVE ALL BURRS ;
 3) SURFACE ROUGHNESS : Ra1.6 ;
 4) UNITS : mm ;
 5) DIMENSIONS TOLERANCES
 DECIMALS : .x ±0.3 .xx ±0.2 .xxx±0.1;
 ANGLES : ± 5°.

THIRD ANGLE PROJECTION		 TITLE : SMA MALE S/T FOR RG316 CABLE,50Ω DRAWING NO. : 5MAM11S-A02-011 COMPANY WEBSITE : www.slkcorp.com
APPROVED :	CUSTOMER P/N :	
CHECKED :	SCALE : 1 : 1	
DRAWING :	DATE : 2020-06-20	
PAGE : 1/1		

CUSTOMER OUTLINE DRAWING