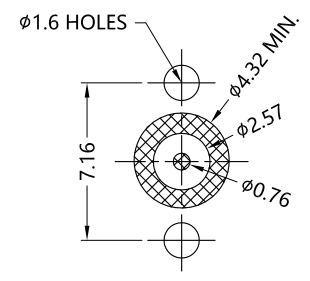
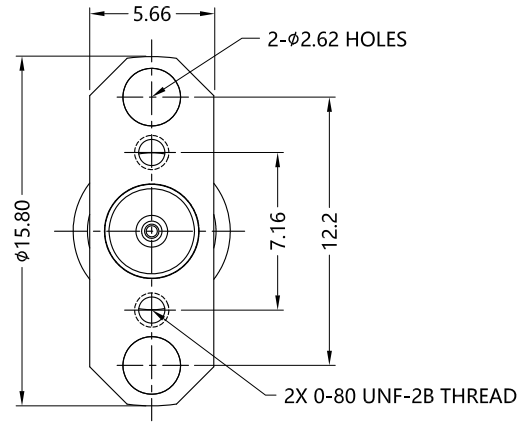
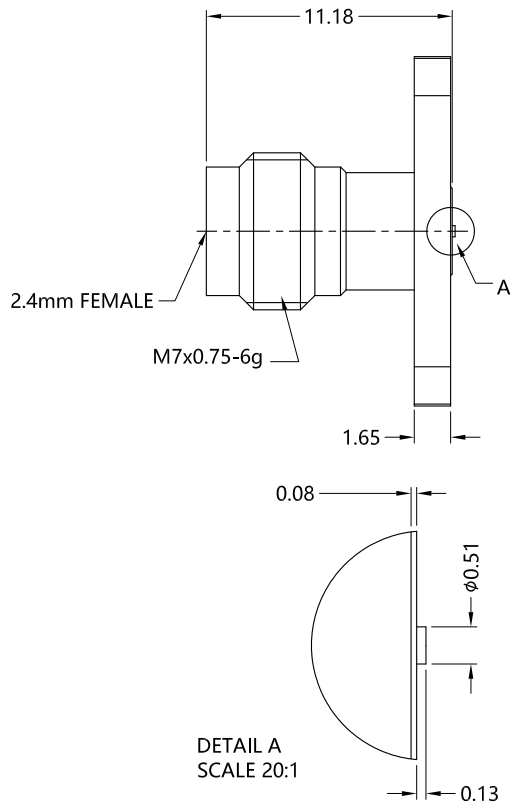


| REV. | DESCRIPTION | ECN NO. | NAME | DATE       |
|------|-------------|---------|------|------------|
| 1    | NEW FRAME   | N/A     | GUO  | 2020-07-11 |



ALL PARTS MUST MEET TO RoHS REQUIREMENTS



RECOMMENDED PCB LAYOUT

| MATERIALS AND PLATING |                      | UNIT: MICRO-INCHES   |
|-----------------------|----------------------|----------------------|
| PART NAME             | MATERIALS            | PLATING              |
| BODY                  | STAINLESS STEEL      | PASSIVATION          |
| INSULATOR             | ENGINEERING PLASTICS | N/A                  |
| CONTACT PIN           | BE-CU C17300         | GOLD PL.50 u"/COPPER |

| ELECTRICAL CHARACTERISTICS      |                  |
|---------------------------------|------------------|
| IMPEDANCE                       | 50 Ω             |
| VOLTAGE RATING                  | 335 V(rms)       |
| FREQUENCY RANGE                 | 0 ~ 50 GHz       |
| DIELECTRIC WITHSTANDING VOLTAGE | >500 V           |
| CONTACT RESISTANCE              | CENTER CONTACT   |
|                                 | OUTER CONTACT    |
| INSULATION RESISTANCE           | >5000 MΩ         |
| INSERTION LOSS                  | <0.05x√F(GHz) dB |
| VSWR                            | <1.3             |
| 3RD INTERMODULATION             | N/A              |

| MECHANICAL CHARACTERISTICS     |             |
|--------------------------------|-------------|
| FORCE TO ENGAGE AND DISENGAGE  | N/A         |
| CENTER CONTACT RETENTION FORCE | >26 N       |
| RECOMMENDED COUPLING TORQUE    | N/A         |
| COUPLING NUT RETENTION FORCE   | N/A         |
| DURABILITY                     | >500 cycles |

| ENVIRONMENTAL PARAMETER |                |
|-------------------------|----------------|
| TEMPERATURE RANGE       | -40 °C~+125 °C |

\* CUSTOMER OUTLINE DRAWING

UNLESS OTHERWISE SPECIFIED:  
 1) EDGES : C0.15 MAX ;  
 2) REMOVE ALL BURRS ;  
 3) SURFACE ROUGHNESS : Ra1.6 ;  
 4) UNITS : mm ;  
 5) DIMENSIONS TOLERANCES  
 DECIMALS : .x ±0.3 .xx ±0.2 .xxx±0.1;  
 ANGLES : ± 5°.

|                        |                |
|------------------------|----------------|
| THIRD ANGLE PROJECTION |                |
| APPROVED :             | CUSTOMER P/N : |
| CHECKED :              | SCALE :        |
| DRAWING :              | DATE :         |
| GUO                    | 2020-07-11     |
| PAGE : 1/1             |                |

TITLE : 2.4mm FEMALE TO 2.92mm FEMALE ADAPTER,50Ω  
 DRAWING NO. : 5P4F80S-H21-001  
 COMPANY WEBSITE : www.slkcorp.com

CUSTOMER OUTLINE DRAWING