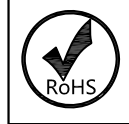
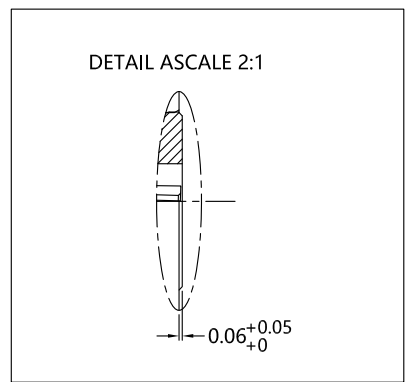
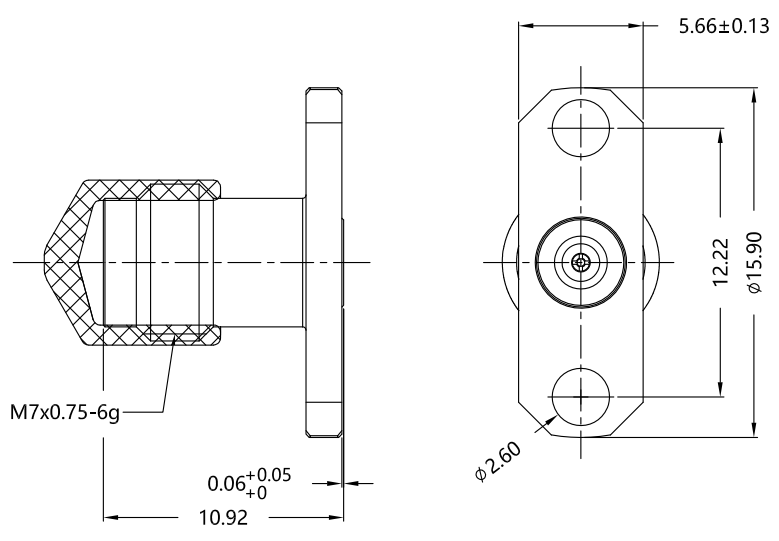


REV.	DESCRIPTION	ECN NO.	NAME	DATE
1	UPDATE DRAWING	N/A	YJY	2019-09-02
2	NEW FRAME	N/A	JING	2020-08-10



ALL PARTS MUST MEET TO RoHS REQUIREMENTS



MATERIALS AND PLATING		UNIT: MICRO-INCHES
PART NAME	MATERIALS	PLATING
BODY	STAINLESS STEEL	PASSIVATION
INSULATOR	ULTEM 1000 PEI	N/A
CONTACT PIN	Be-Cu C17300	GOLD 50u"/ COPPER
DUST CAP	PVC	N/A

ELECTRICAL CHARACTERISTICS	
IMPEDANCE	50 Ω
VOLTAGE RATING	335 V(rms)
FREQUENCY RANGE	0 ~ 50 GHz
DIELECTRIC WITHSTANDING VOLTAGE	> 500 V
CONTACT RESISTANCE	CENTER CONTACT
	OUTER CONTACT
	<3.0 mΩ
	<2.0 mΩ
INSULATION RESISTANCE	> 5000 MΩ
INSERTION LOSS	0.05 \sqrt{F} (GHz) dB
RF-LEAKAGE	N/A
VSWR	<1.30
3RD INTERMODULATION	N/A

MECHANICAL CHARACTERISTICS	
FORCE TO ENGAGE AND DISENGAGE	N/A
CENTER CONTACT RETENTION FORCE	>6 lbs
RECOMMENDED COUPLING TORQUE	N/A
COUPLING NUT RETENTION FORCE	N/A
DURABILITY	>500 cycles

ENVIRONMENTAL PARAMETER	
TEMPERATURE RANGE	-40 °C ~ +125 °C

CUSTOMER OUTLINE DRAWING

*** CUSTOMER OUTLINE DRAWING**

UNLESS OTHERWISE SPECIFIED:
 1) EDGES : C0.15 MAX ;
 2) REMOVE ALL BURRS ;
 3) SURFACE ROUGHNESS : Ra1.6 ;
 4) UNITS : mm ;
 5) DIMENSIONS TOLERANCES
 DECIMALS : .x ±0.3 .xx ±0.2 .xxx±0.1;
 ANGLES : ± 5°.

THIRD ANGLE PROJECTION		
APPROVED :	CUSTOMER P/N :	-
CHECKED :	SCALE :	3: 1
DRAWING :	DATE :	2020-08-10
JING	PAGE :	1/1

TITLE : 2.4MM FEMALE CONNECTOR WITH 2 THREAD MOUNTING HOLES , 50Ω
 DRAWING NO. : 5P4F85S-H21-002
 COMPANY WEBSITE : www.slkcorp.com