
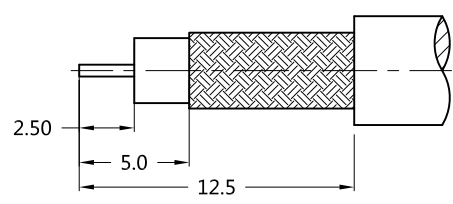
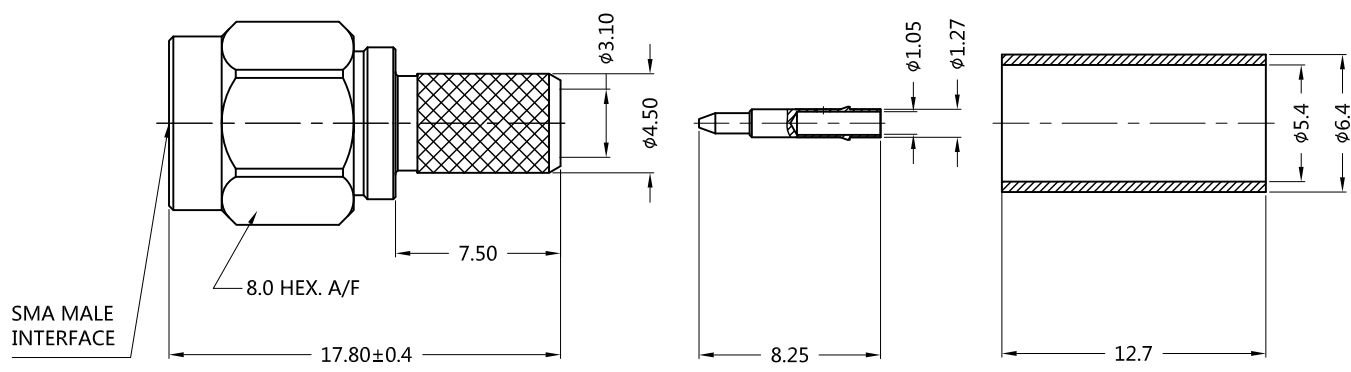


REV.	DESCRIPTION	ECN NO.	NAME	DATE	 ALL PARTS MUST MEET TO RoHS REQUIREMENTS
A1	NEW FRAME	N/A	JING	2020-07-11	

- 1.FERRULE TO CRIMPED THE HEX. SIZE .216"
2. CONTACT PIN TO SOLDER



RECOMMENDED CABLE STRIPPING DIM'S



MATERIALS AND PLATING		UNIT: MICRO-INCHES
PART NAME	MATERIALS	PLATING
BODY/SHELL	STAINLESS STEEL	GOLD 3u"/NICKEL
INSULATOR	PTFE ASTM-D-1710	N/A
CONTACT PIN	BRASS	GOLD 30u"/NICKEL/COPPER
GASKET	SILICONE	N/A
FERRULE	BRASS	GOLD 3u"/NICKEL
C RING	STAINLESS STEEL	N/A


ELECTRICAL CHARACTERISTICS	
IMPEDANCE	50 Ω
VOLTAGE RATING	335 V(rms)
FREQUENCY RANGE	0 ~ 3 GHz
DIELECTRIC WITHSTANDING VOLTAGE	> 500 V
CONTACT RESISTANCE	CENTER CONTACT < 3.0 mΩ
	OUTER CONTACT < 2.0 mΩ
INSULATION RESISTANCE	> 5000 MΩ
INSERTION LOSS	N/A
RF-LEAKAGE	N/A
VSWR	< 1.12(GATING)
3RD INTERMODULATION	N/A

MECHANICAL CHARACTERISTICS	
FORCE TO ENGAGE AND DISENGAGE	N/A
CENTER CONTACT RETENTION FORCE	> 6 lbs
RECOMMENDED COUPLING TORQUE	7-10 in-lbs
COUPLING NUT RETENTION FORCE	> 60 lbs
DURABILITY	> 500 cycles

ENVIRONMENTAL PARAMETER	
TEMPERATURE RANGE	-65 °C ~ +165 °C

* CUSTOMER OUTLINE DRAWING

UNLESS OTHERWISE SPECIFIED:
 1) EDGES : C0.15 MAX ;
 2) REMOVE ALL BURRS ;
 3) SURFACE ROUGHNESS : Ra1.6 ;
 4) UNITS : mm ;
 5) DIMENSIONS TOLERANCES
 DECIMALS : .x ±0.3 .xx ±0.2 .xxx±0.1;
 ANGLES : ± 5°.

THIRD ANGLE PROJECTION		 TITLE : SMA MALE S/T CRIMP FOR RG58 CABLE, 50Ω DRAWING NO. : 5MAM11S-A41-010 COMPANY WEBSITE : www.slkcorp.com
APPROVED :	CUSTOMER P/N :	
CHECKED :	SCALE : 3 : 1	
DRAWING : JING	DATE : 2020-07-11	
PAGE : 1/1		

CUSTOMER OUTLINE DRAWING