
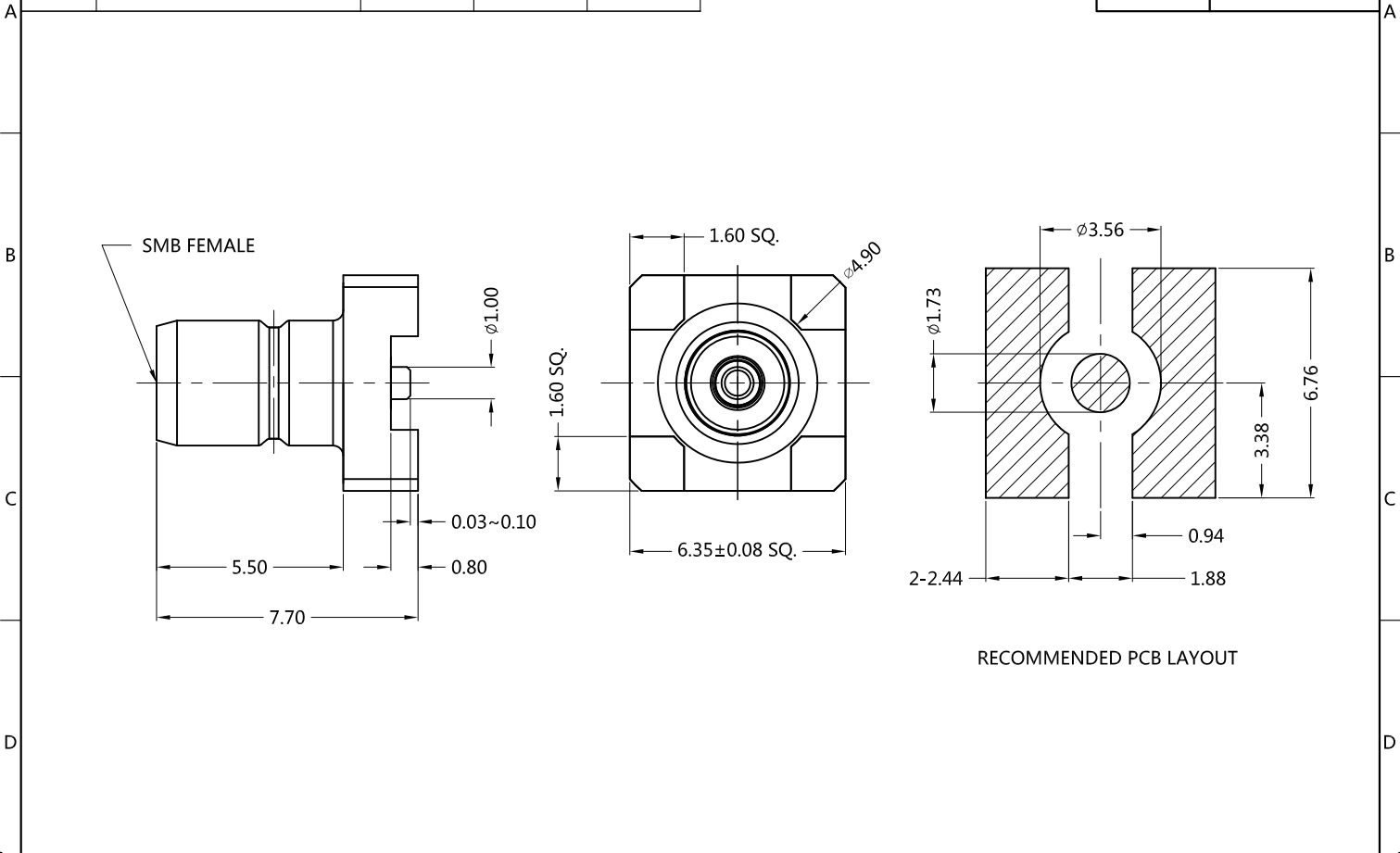


REV.	DESCRIPTION	ECN NO.	NAME	DATE	 ALL PARTS MUST MEET TO RoHS REQUIREMENTS
A0	production department	N/A	lihemin	2017-03-01	
A1	NEW FRAME	N/A	LEI CHAO	2020-07-01	



RECOMMENDED PCB LAYOUT


MATERIALS AND PLATING		UNIT: MICRO-INCHES
PART NAME	MATERIALS	PLATING
BODY	BRASS C3602	GOLD 1 u"/NICKEL/COPPER
INSULATOR	PTFE MIL-P-19468	N/A
CONTACT PIN	BRASS C3604	GOLD 30 u"/NICKEL/COPPER

ELECTRICAL CHARACTERISTICS	
IMPEDANCE	50 Ω
VOLTAGE RATING	250 V(rms)
FREQUENCY RANGE	DC ~ 4 GHz
DIELECTRIC WITHSTANDING VOLTAGE	>750 V
CONTACT RESISTANCE	CENTER CONTACT
	OUTER CONTACT
INSULATION RESISTANCE	>1000 MΩ
INSERTION LOSS	N/A
VSWR	N/A
3RD INTERMODULATION	N/A

MECHANICAL CHARACTERISTICS	
FORCE TO ENGAGE AND DISENGAGE	N/A
CENTER CONTACT RETENTION FORCE	> 4 lbs
RECOMMENDED COUPLING TORQUE	N/A
COUPLING NUT RETENTION FORCE	N/A
DURABILITY	> 500 cycles

ENVIRONMENTAL PARAMETER	
TEMPERATURE RANGE	-65 °C~+165 °C
THERMAL SHOCK	US MIL- STD 202, Meth. 107,Cond. B
VIBRATION	US MIL- STD 202, Meth. 204,Cond. B
SHOCK	US MIL- STD 202, Meth. 213,Cond. B

**\* CUSTOMER OUTLINE DRAWING**

UNLESS OTHERWISE SPECIFIED: 1) EDGES : C0.15 MAX ; 2) REMOVE ALL BURRS ; 3) SURFACE ROUGHNESS : Ra1.6 ; 4) UNITS : mm ; 5) DIMENSIONS TOLERANCES DECIMALS : .x ±0.3 .xx ±0.2 .xxx±0.1; ANGLES : ± 5°.	THIRD ANGLE PROJECTION		 TITLE : SMB MALE S/T FOR PCB SMT ,50 Ω DRAWING NO. : 5MBF27S-P21-001 COMPANY WEBSITE : www.slkcorp.com
	APPROVED :	CUSTOMER P/N :	
	CHECKED :	SCALE : 5 : 1	
	DRAWING :	DATE : 2020-07-01	
		PAGE : 1/1	

CUSTOMER OUTLINE DRAWING