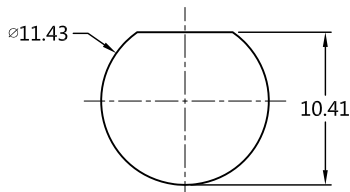


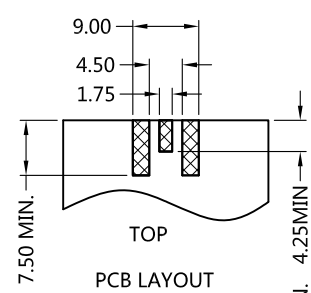
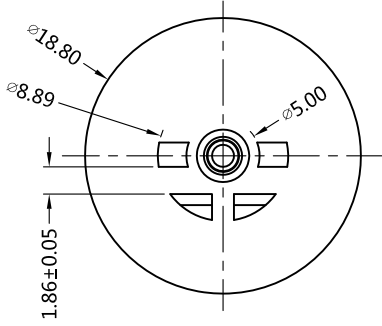
REV	DESCRIPTION	ECN NO	NAME	DATE
0	FIRST EDITION	N/A	YY	2015-04-13
1	Update the drawing	N/A	YY	2015-04-20
2	NEW FRAME	N/A	LW	2020-07-09



ALL PARTS MUST MEET TO RoHS REQUIREMENTS



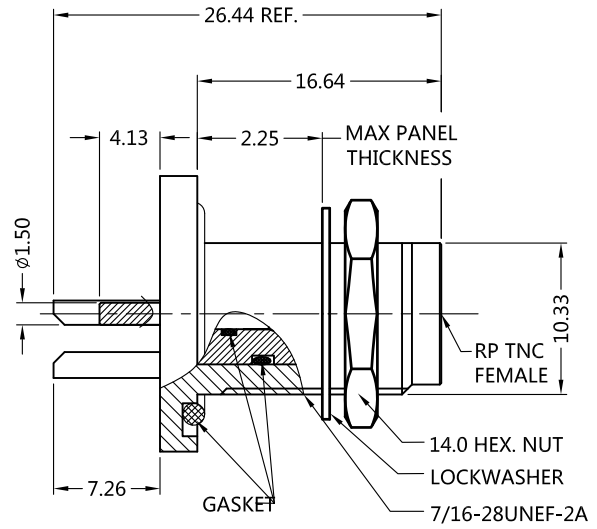
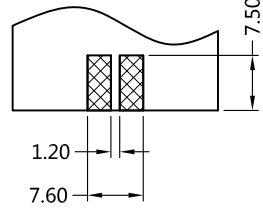
RECOMMENDED MOUNTING PANEL DIMENSIONS



TOP

PCB LAYOUT

BOTTOM



MATERIALS AND PLATING		UNIT: MICRO-INCHES
BODY	BRASS	NICKEL 100 u"/COPPER
CONTACT PIN	BRASS	GOLD 5 u"/HIGH PHOSPHOR NICKEL/COPPER
INSULATOR	PTFE ASTM-D-1710	N/A
NUT	BRASS	NICKEL 100 u"/COPPER
WASHER	BRASS	NICKEL 100 u"/COPPER
GASKET	VITON	BLACK

MECHANICAL CHARACTERISTICS	
FORCE TO ENGAGE AND DISENGAGE	N/A
CENTER CONTACT RETENTION FORCE	>6 lbs
RECOMMENDED COUPLING TORQUE	N/A
COUPLING NUT RETENTION FORCE	N/A
DURABILITY	>500 cycles

ELECTRICAL CHARACTERISTICS		
IMPEDANCE	50 Ω	
VOLTAGE RATING	500 V(rms)	
FREQUENCY RANGE	DC~3 GHz	
DIELECTRIC WITHSTANDING VOLTAGE	>1500 V	
CONTACT RESISTANCE	CENTER CONTACT	<1.5 mΩ
	OUTER CONTACT	<0.2 mΩ
INSULATION RESISTANCE	>5000 MΩ	
INSERTION LOSS	<0.05√F dB	
VSWR	<1.15	
3RD INTERMODULATION	N/A	

ENVIRONMENTAL CHARACTERISTICS	
TEMPERATURE RANGE	-65 °C~+165 °C
WATERPROOF	IP67

* CUSTOMER OUTLINE DRAWING

UNLESS OTHERWISE SPECIFIED:
 1) C0.15 MAX;
 2) REMOVE ALL BURRS;
 3) SURFACE ROUGHNESS : Ra1.6;
 4) UNITS:mm;
 5) DIMENSIONS TOLERANCES
 DECIMALS .x ±0.3 .xx ±0.2 .xxx±0.1
 ANGLES ±5°

THIRD ANGLE PROJECTION	
APPROVED:	CUSTOMER P/N:
CHECKED:	SCALE:
DRAWING:	DATE: 2020-07-09
COMPANY WEBSITE: www.slkcorp.com	

TITLE: RP TNC FEMALE S/T FOR EDGE MOUNT .062" BOARD
 DRAWING NO: 5R7CF28S-P41

CUSTOMER OUTLINE DRAWING