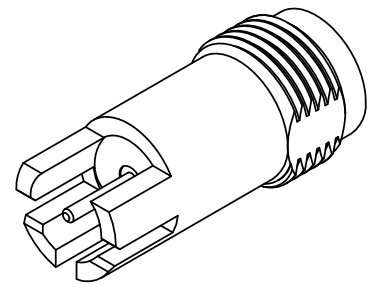
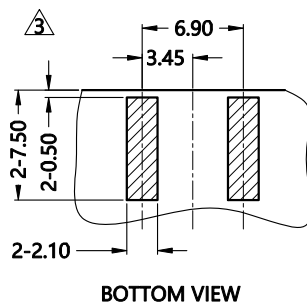
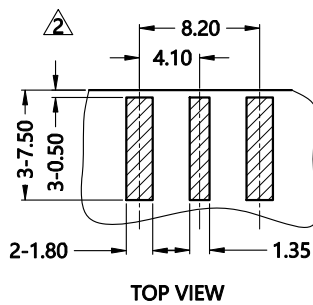
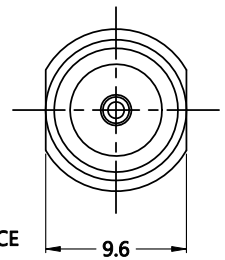
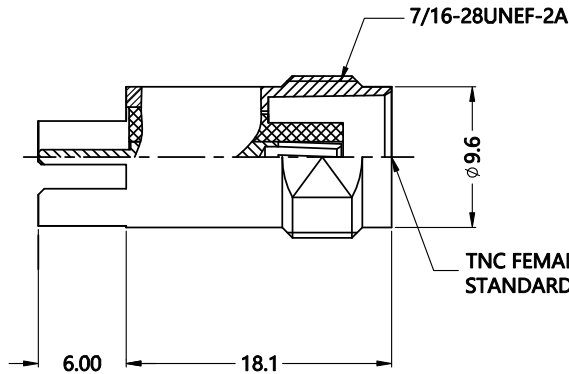
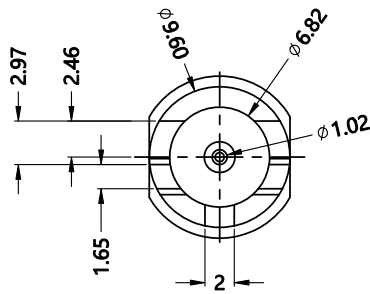


REV.	DESCRIPTION	ECN NO.	NAME	DATE
0	FIRST EDITION	N/A	xin	2010-5-28
1	REPLACE FRAME	N/A	Kevin.Li	2020-06-23
2	UPDATE DRAWING	N/A	PY	2021-03-16
3	UPDATE DRAWING	N/A	PY	2021-03-17



ALL PARTS MUST MEET TO RoHS REQUIREMENTS



RECOMMENDS PCB LAYOUT

MATERIALS AND PLATING		UNIT: MICRO-INCHES
PART NAME	MATERIALS	PLATING
BODY	BRASS	NICKEL 100u* / COPPER
INSULATOR	PTFE ASTM-D-1710	N/A
CONTACT PIN	BERYLLIUM COPPER	GOLD 10u* / NICKEL / COPPER

ELECTRICAL CHARACTERISTICS	
IMPEDANCE	50 Ω
VOLTAGE RATING	500V(rms)
FREQUENCY RANGE	0 ~ 11GHz
DIELECTRIC WITHSTANDING VOLTAGE	>1500 V
CONTACT RESISTANCE	CENTER CONTACT <1.5 mΩ
	OUTER CONTACT <0.5 mΩ
INSULATION RESISTANCE	>5000MΩ
INSERTION LOSS	ACCORDING AS THE CABLE
VSWR	N/A
3RD INTERMODULATION	N/A

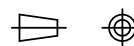
MECHANICAL CHARACTERISTICS	
FORCE TO ENGAGE AND DISENGAGE	N/A
CENTER CONTACT RETENTION FORCE	> 6 lbs
RECOMMENDED COUPLING TORQUE	N/A
COUPLING NUT RETENTION FORCE	N/A
DURABILITY	> 500cycles

ENVIRONMENTAL PARAMETER	
TEMPERATURE RANGE	-55°C- +125°C

* CUSTOMER OUTLINE DRAWING

UNLESS OTHERWISE SPECIFIED:
 1) EDGES : C0.15 MAX ;
 2) REMOVE ALL BURRS ;
 3) SURFACE ROUGHNESS : Ra1.6 ;
 4) UNITS : mm ;
 5) DIMENSIONS TOLERANCES
 DECIMALS : .x ±0.3 .xx ±0.2 .xxx±0.1;
 ANGLES : ± 5°.

THIRD ANGLE PROJECTION



APPROVED :

CUSTOMER P/N :

CHECKED :

SCALE :

DRAWING :

DATE : 2021-03-17

PAGE : 1/1



TITLE : TNC FEMALE S/T FOR PCB END LAUNCH,50Ω

DRAWING NO. : 5TCF21S-P04-001

COMPANY WEBSITE : www.slkcorp.com

CUSTOMER OUTLINE DRAWING