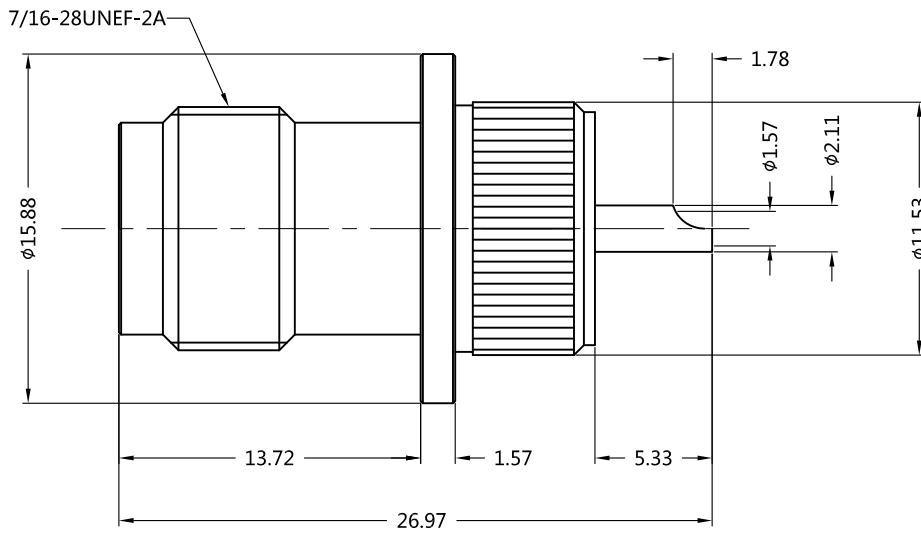


REV.	DESCRIPTION	ECN NO.	NAME	DATE
0	REPLACE FRAME	N/A	Kevin.Li	2020-06-23



ALL PARTS MUST MEET TO RoHS REQUIREMENTS



MATERIALS AND PLATING		UNIT: MICRO-INCHES
PART NAME	MATERIALS	PLATING
BODY/SHELL	BRASS	ALBALOY 120 u" / COPPER
INSULATOR	PTFE ASTM-D-1710	N/A
CONTACT PIN	BERYLLIUM COPPER	GOLD PL. 33 u" / COPPER

ELECTRICAL CHARACTERISTICS		
IMPEDANCE	50 Ω	
VOLTAGE RATING	750V(rms)	
FREQUENCY RANGE	0 ~ 3GHz	
DIELECTRIC WITHSTANDING VOLTAGE	1000 V	
CONTACT RESISTANCE	CENTER CONTACT	<1.5 mΩ
	OUTER CONTACT	<0.2 mΩ
INSULATION RESISTANCE	>5000MΩ	
INSERTION LOSS	ACCORDING AS CABLE	
VSWR	N/A	
3RD INTERMODULATION	N/A	

MECHANICAL CHARACTERISTICS	
FORCE TO ENGAGE AND DISENGAGE	N/A
CENTER CONTACT RETENTION FORCE	>6 lbs
RECOMMENDED COUPLING TORQUE	N/A
COUPLING NUT RETENTION FORCE	N/A
DURABILITY	> 500cycles

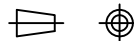
ENVIRONMENTAL PARAMETER	
TEMPERATURE RANGE	-55°C~+125°C

*** CUSTOMER OUTLINE DRAWING**

UNLESS OTHERWISE SPECIFIED:

- 1) EDGES : C0.15 MAX ;
- 2) REMOVE ALL BURRS ;
- 3) SURFACE ROUGHNESS : Ra1.6 ;
- 4) UNITS : mm ;
- 5) DIMENSIONS TOLERANCES
 DECIMALS : .x ±0.3 .xx ±0.2 .xxx±0.1;
 ANGLES : ± 5°.

THIRD ANGLE PROJECTION



APPROVED :

CUSTOMER P/N :

CHECKED :

SCALE :

DRAWING :

DATE : 2020-06-23

PAGE : 1/1



TITLE : TNC FEMALE S/T SOLDER CUP ,50Ω

DRAWING NO. : 5TCF25S-P01-001

COMPANY WEBSITE : www.slkcorp.com

CUSTOMER OUTLINE DRAWING