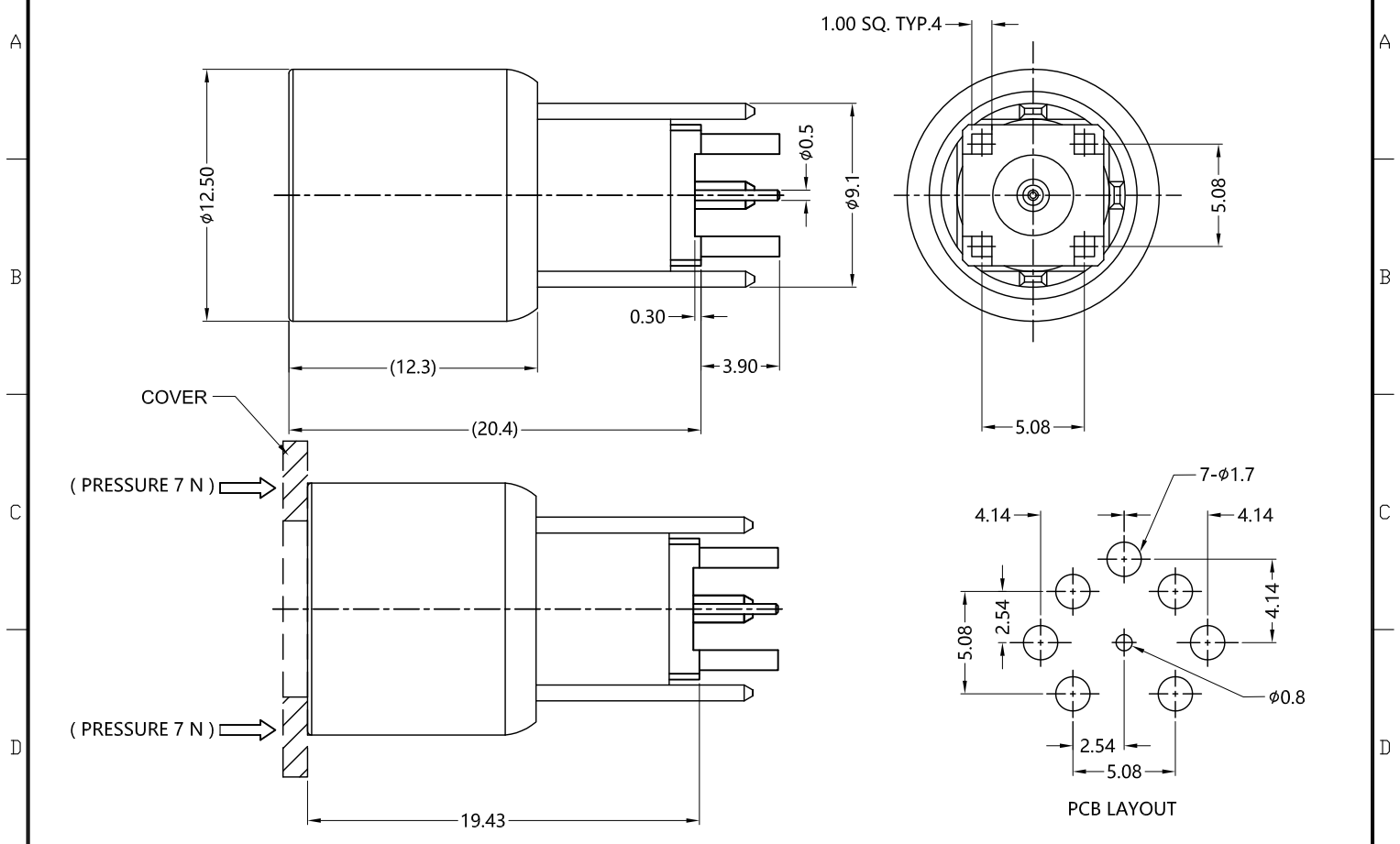


REV	DESCRIPTION	ECN NO	NAME	DATE
1	Update drawing	N/A	YWD	2017-03-28
2	NEW FRAME	N/A	Liu	2020-10-08



ALL PARTS MUST MEET TO RoHS REQUIREMENTS



MATERIALS AND PLATING		UNIT: MICRO-INCHES
SHROUD	BRASS C3604	NICKEL 100 u"/COPPER
CONTACT PIN	BRASS C3604	GOLD 30 u"/NICKEL/COPPER
INSULATOR	PTFE ASTM-D-1710	N/A
SPRING	STAINLESS STEEL	PASSIVATE
BODY	BRASS C3604	GOLD 5 u"/NICKEL/COPPER

ELECTRICAL CHARACTERISTICS	
IMPEDANCE	75 $\Omega$
VOLTAGE RATING	175 V(rms)
FREQUENCY RANGE	0~3 GHz
DIELECTRIC WITHSTANDING VOLTAGE	>500 V
CONTACT RESISTANCE	CENTER CONTACT <6.0 m $\Omega$
	OUTER CONTACT <1.0 m $\Omega$
INSULATION RESISTANCE	>1000 M $\Omega$
INSERTION LOSS	N/A
RETURN LOSS	>23 dB @ 0~1 GHz >20 dB @ 1~2 GHz >18 dB @ 2~3 GHz
3RD INTERMODULATION	N/A

MECHANICAL CHARACTERISTICS	
FORCE TO ENGAGE AND DISENGAGE	N/A
CENTER CONTACT RETENTION FORCE	>4 lbs
RECOMMENDED COUPLING TORQUE	N/A
COUPLING NUT RETENTION FORCE	N/A
DURABILITY	>500 cycles

ENVIRONMENTAL CHARACTERISTICS	
TEMPERATURE RANGE	-40 °C~+165 °C

**\* CUSTOMER OUTLINE DRAWING**

UNLESS OTHERWISE SPECIFIED:  
 1) C0.15 MAX;  
 2) REMOVE ALL BURRS;  
 3) SURFACE ROUGHNESS : Ra1.6;  
 4) UNITS:mm;  
 5) DIMENSIONS TOLERANCES  
 DECIMALS .x  $\pm 0.3$  .xx  $\pm 0.2$  .xxx  $\pm 0.1$   
 ANGLES  $\pm 5^\circ$

THIRD ANGLE PROJECTION	
APPROVED:	CUSTOMER P/N:
CHECKED:	SCALE:
DRAWING:	DATE: 2020-10-08
COMPANY WEBSITE: www.slkcorp.com	

TITLE: SMB FEMALE S/T FOR PCB THROUGH HOLE,75 $\Omega$   
 DRAWING NO: 7MBF25S-P41-015

CUSTOMER OUTLINE DRAWING