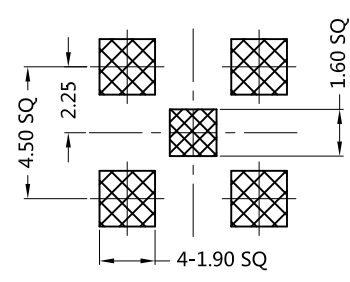
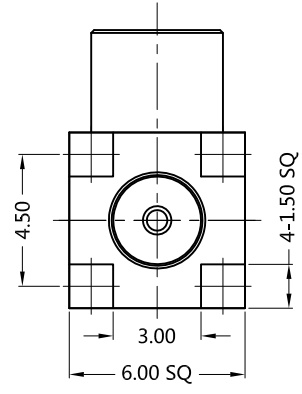
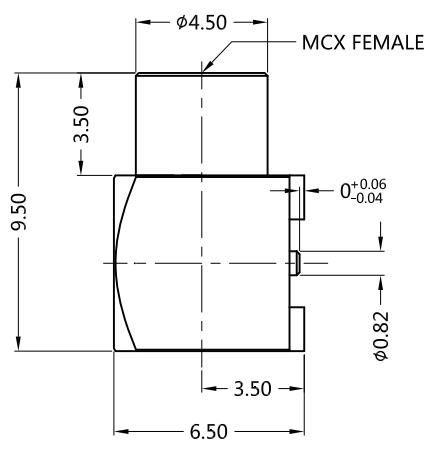


REV.	DESCRIPTION	ECN NO.	NAME	DATE
A0	FIRST EDITION	N/A	LIHEMIN	2017-05-16
A1	NEW FRAME	N/A	LEI CHAO	2020-07-13



ALL PARTS MUST MEET TO RoHS REQUIREMENTS



RECOMMENDED PCB LAYOUT

MATERIALS AND PLATING		UNIT: MICRO-INCHES
PART NAME	MATERIALS	PLATING
BODY	BRASS C3604	GOLD 3 u" /NICKEL/COPPER
CONTACT PIN	Be-Cu C17300	GOLD 30 u" /NICKEL/COPPER
INSULATOR	PTFE ASTM-D-1710	N/A

ELECTRICAL CHARACTERISTICS		
IMPEDANCE	50 Ω	
VOLTAGE RATING	335 V(rms)	
FREQUENCY RANGE	DC ~ 6 GHz	
DIELECTRIC WITHSTANDING VOLTAGE	>1000 V	
CONTACT RESISTANCE	CENTER CONTACT	<5 mΩ
	OUTER CONTACT	<2.5 mΩ
INSULATION RESISTANCE	>500 MΩ	
INSERTION LOSS	N/A	
VSWR	< 1.5	
3RD INTERMODULATION	N/A	

MECHANICAL CHARACTERISTICS	
ENGAGEMENT FORCE	<14.2 lbs
SEPARATION FORCE	>1.8~4.5 lbs
CENTER CONTACT RETENTION FORCE	N/A
COUPLING NUT RETENTION FORCE	N/A
DURABILITY	> 500 cycles

ENVIRONMENTAL PARAMETER	
TEMPERATURE RANGE	-40 °C ~ +85 °C

\* CUSTOMER OUTLINE DRAWING

UNLESS OTHERWISE SPECIFIED:  
 1) EDGES : C0.15 MAX ;  
 2) REMOVE ALL BURRS ;  
 3) SURFACE ROUGHNESS : Ra1.6 ;  
 4) UNITS : mm ;  
 5) DIMENSIONS TOLERANCES  
 DECIMALS : .x ±0.3 .xx ±0.2 .xxx±0.1;  
 ANGLES : ± 5°.

THIRD ANGLE PROJECTION		
APPROVED :	CUSTOMER P/N :	-
CHECKED :	SCALE :	5 : 1
DRAWING :	DATE :	2020-07-13
PAGE :		1/1

TITLE : MCX FEMALE R/A FOR PCB SMT, 50 Ω  
 DRAWING NO. : 5MXF27R-P41-003  
 COMPANY WEBSITE : www.slkcorp.com

CUSTOMER OUTLINE DRAWING