
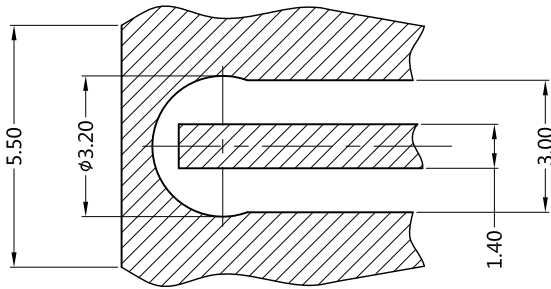
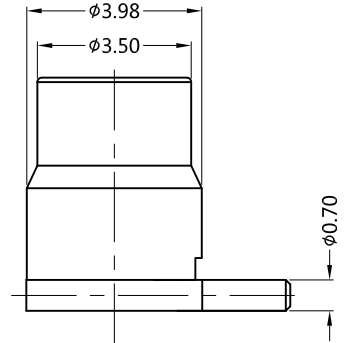
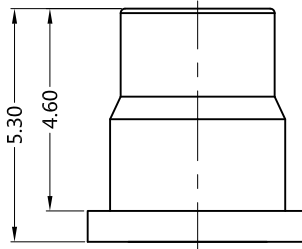
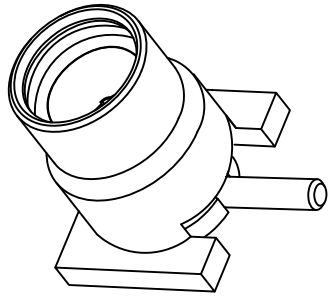
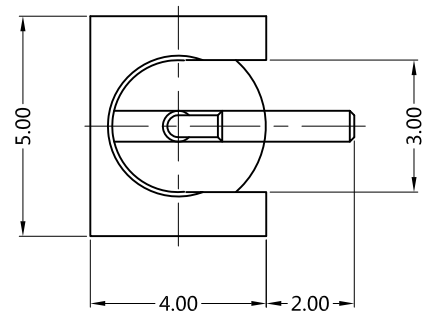


REV.	DESCRIPTION	ECN NO.	NAME	DATE	 ALL PARTS MUST MEET TO RoHS REQUIREMENTS
0	FIRST EDITION	N/A	YAN	2014-06-23	
1	NEW FRAME	N/A	LEI CHAO	2020-07-08	



RECOMMENDED PCB LAYOUT (TOP MOUNT)



MATERIALS AND PLATING		UNIT: MICRO-INCHES
PART NAME	MATERIALS	PLATING
BODY	BRASS C3604	GOLD 3 u"/NICKEL/COPPER
CONTACT PIN	Be-Cu C17300	GOLD 10 u"/NICKEL/COPPER
INSULATOR	PTFE ASTM-D-1710	N/A

ELECTRICAL CHARACTERISTICS	
IMPEDANCE	50 Ω
VOLTAGE RATING	170 V(rms)
FREQUENCY RANGE	DC ~ 6 GHz
DIELECTRIC WITHSTANDING VOLTAGE	> 500 V
CONTACT RESISTANCE	CENTER CONTACT < 5.0 mΩ
	OUTER CONTACT < 2.5 mΩ
INSULATION RESISTANCE	> 1000 MΩ
INSERTION LOSS	N/A
VSWR	< 1.35
3RD INTERMODULATION	N/A

MECHANICAL CHARACTERISTICS	
FORCE TO ENGAGE AND DISENGAGE	N/A
CENTER CONTACT RETENTION FORCE	> 2.25 lbs
RECOMMENDED COUPLING TORQUE	N/A
COUPLING NUT RETENTION FORCE	N/A
DURABILITY	> 500 cycles

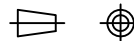
ENVIRONMENTAL PARAMETER	
TEMPERATURE RANGE	-40 °C ~ +165 °C
THERMAL SHOCK	N/A
VIBRATION	MIL-STD 202G, Meth.204, Cond.A
SHOCK	MIL-STD 202G, Meth.101, Cond B
CLIMATIC CLASS	N/A

* CUSTOMER OUTLINE DRAWING

UNLESS OTHERWISE SPECIFIED:

- 1) EDGES : C0.15 MAX ;
- 2) REMOVE ALL BURRS ;
- 3) SURFACE ROUGHNESS : Ra1.6 ;
- 4) UNITS : mm ;
- 5) DIMENSIONS TOLERANCES
 DECIMALS : .x ±0.3 .xx ±0.2 .xxx±0.1;
 ANGLES : ± 5°.

THIRD ANGLE PROJECTION



APPROVED :

CUSTOMER P/N :

CHECKED :

SCALE :

8 : 1

DRAWING :

DATE : 2020-07-08

PAGE : 1/1



TITLE : MMCX FEMALE R/A FOR PCB SMT ,50 Ω

DRAWING NO. : 5MCF25R-P01-001

COMPANY WEBSITE : www.slkcorp.com

CUSTOMER OUTLINE DRAWING