
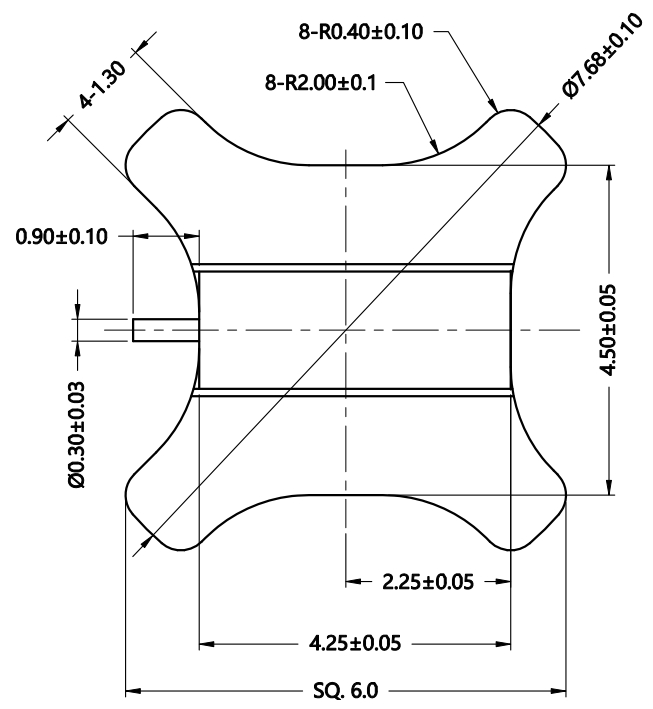
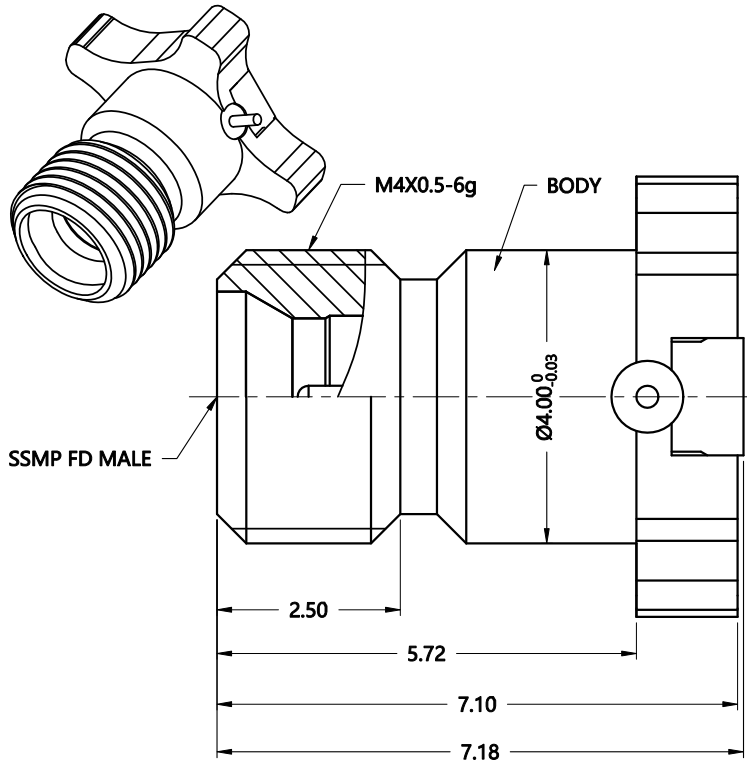


REV.	DESCRIPTION	ECN NO.	NAME	DATE
0	FIRST EDITION	N/A	HRWEI	2021-12-31
1	ADD PCB FOOTPRINT	N/A	HRWEI	2022-02-15
2	UPDATE PCB FOOTPRINT	N/A	HRWEI	2022-05-12



ALL PARTS MUST MEET TO RoHS REQUIREMENTS



MATERIALS AND PLATING		UNIT: MICRO-INCHES
PART NAME	MATERIALS	PLATING
COVER	BRASS C3604	GOLD30 u*/NICKEL100~200 u*/COPPER
INSULATOR	PTFE ASTM-1710-D	N/A
CONTACT PIN	Be-Cu C17300	GOLD50 u*/NICKEL100~200 u*/COPPER
BODY	BRASS C3604	GOLD30 u*/NICKEL100~200 u*/COPPER

ELECTRICAL CHARACTERISTICS	
IMPEDANCE	50 Ω
VOLTAGE RATING	170 V(rms)
FREQUENCY RANGE	DC ~ 50 GHz
DIELECTRIC WITHSTANDING VOLTAGE	>500 V
CONTACT RESISTANCE	CENTER CONTACT
	OUTER CONTACT
INSULATION RESISTANCE	>1000 MΩ
INSERTION LOSS	<0.1 X/F(GHz) dB
VSWR	<1.45 (DC~50 GHz)
3RD INTERMODULATION	N/A

MECHANICAL CHARACTERISTICS	
FORCE TO ENGAGE AND DISENGAGE	<27 N
CENTER CONTACT RETENTION FORCE	>6.6 N
DURABILITY	> 100 cycles

ENVIRONMENTAL PARAMETER	
TEMPERATURE RANGE	-40 °C~+125 °C

*** CUSTOMER OUTLINE DRAWING**

THE FIRST PAGE

UNLESS OTHERWISE SPECIFIED:
 1) EDGES : C0.15 MAX ;
 2) REMOVE ALL BURRS ;
 3) SURFACE ROUGHNESS : Ra1.6 ;
 4) UNITS : mm ;
 5) DIMENSIONS TOLERANCES
 DECIMALS : .x ±0.2 .xx ±0.1 .xxx±0.05;
 ANGLES : ± 5°.


THIRD ANGLE PROJECTION	
APPROVED :	CUSTOMER P/N :
CHECKED :	SCALE :
DRAWING :	DATE : 2022-05-12
PAGE : 1/2	



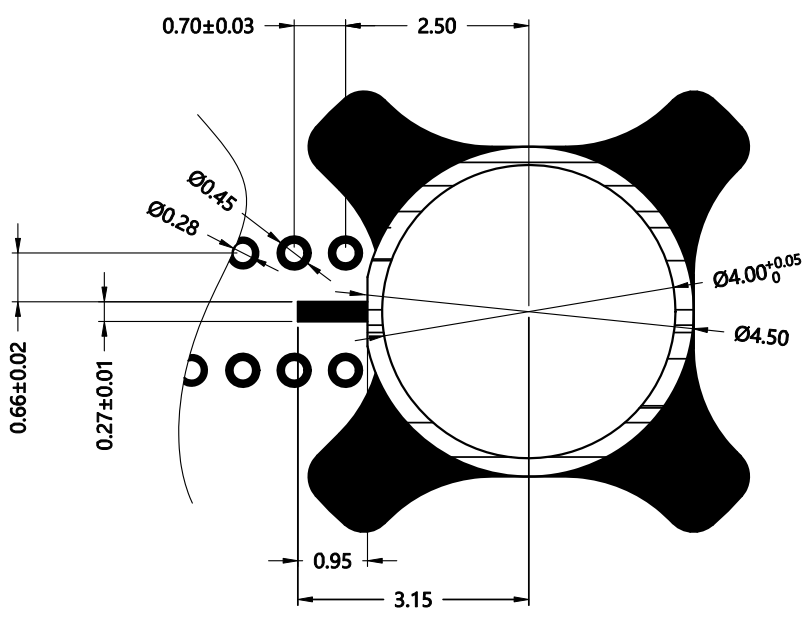
TITLE : SSMP FD MALE R/A FOR PCB REVERSE MOUNT,50Ω
 DRAWING NO. : 5MPM27R-P01-005
 COMPANY WEBSITE : www.slkcorp.com

CUSTOMER OUTLINE DRAWING

REV.	DESCRIPTION	ECN NO.	NAME	DATE
0	FIRST EDITION	N/A	HRWEI	2021-12-31
1	ADD PCB FOOTPRINT	N/A	HRWEI	2022-02-15
2	UPDATE PCB FOOTPRINT	N/A	HRWEI	2022-05-12



ALL PARTS MUST MEET TO RoHS REQUIREMENTS



RECOMMENDED PCB FOOTPRINT
(FOR EVERY PORT)

MATERIALS AND PLATING		UNIT: MICRO-INCHES
PART NAME	MATERIALS	PLATING
COVER	BRASS C3604	GOLD30 u*/NICKEL100~200 u*/COPPER
INSULATOR	PTFE ASTM-1710-D	N/A
CONTACT PIN	Be-Cu C17300	GOLD50 u*/NICKEL100~200 u*/COPPER
BODY	BRASS C3604	GOLD30 u*/NICKEL100~200 u*/COPPER

ELECTRICAL CHARACTERISTICS	
IMPEDANCE	50 Ω
VOLTAGE RATING	170 V(rms)
FREQUENCY RANGE	DC ~ 50 GHz
DIELECTRIC WITHSTANDING VOLTAGE	>500 V
CONTACT RESISTANCE	CENTER CONTACT
	OUTER CONTACT
INSULATION RESISTANCE	>1000 MΩ
INSERTION LOSS	<0.1 X/√F(GHz) dB
VSWR	<1.45 (DC~50 GHz)
3RD INTERMODULATION	N/A

MECHANICAL CHARACTERISTICS	
FORCE TO ENGAGE AND DISENGAGE	<27 N
CENTER CONTACT RETENTION FORCE	>6.6 N
DURABILITY	> 100 cycles

ENVIRONMENTAL PARAMETER	
TEMPERATURE RANGE	-40 °C~+125 °C

CUSTOMER OUTLINE DRAWING

*** CUSTOMER OUTLINE DRAWING**

THE SECOND PAGE

UNLESS OTHERWISE SPECIFIED:
 1) EDGES : C0.15 MAX ;
 2) REMOVE ALL BURRS ;
 3) SURFACE ROUGHNESS : Ra1.6 ;
 4) UNITS : mm ;
 5) DIMENSIONS TOLERANCES
 DECIMALS : .x ±0.2 .xx ±0.1 .xxx±0.05;
 ANGLES : ± 5°.

THIRD ANGLE PROJECTION	
APPROVED :	CUSTOMER P/N :
CHECKED :	SCALE : 6:1
DRAWING :	DATE : 2022-05-12
PAGE : 2/2	



TITLE : SSMP FD MALE R/A FOR PCB REVERSE MOUNT,50Ω
 DRAWING NO. : 5MPM27R-P01-005
 COMPANY WEBSITE : www.slkcorp.com