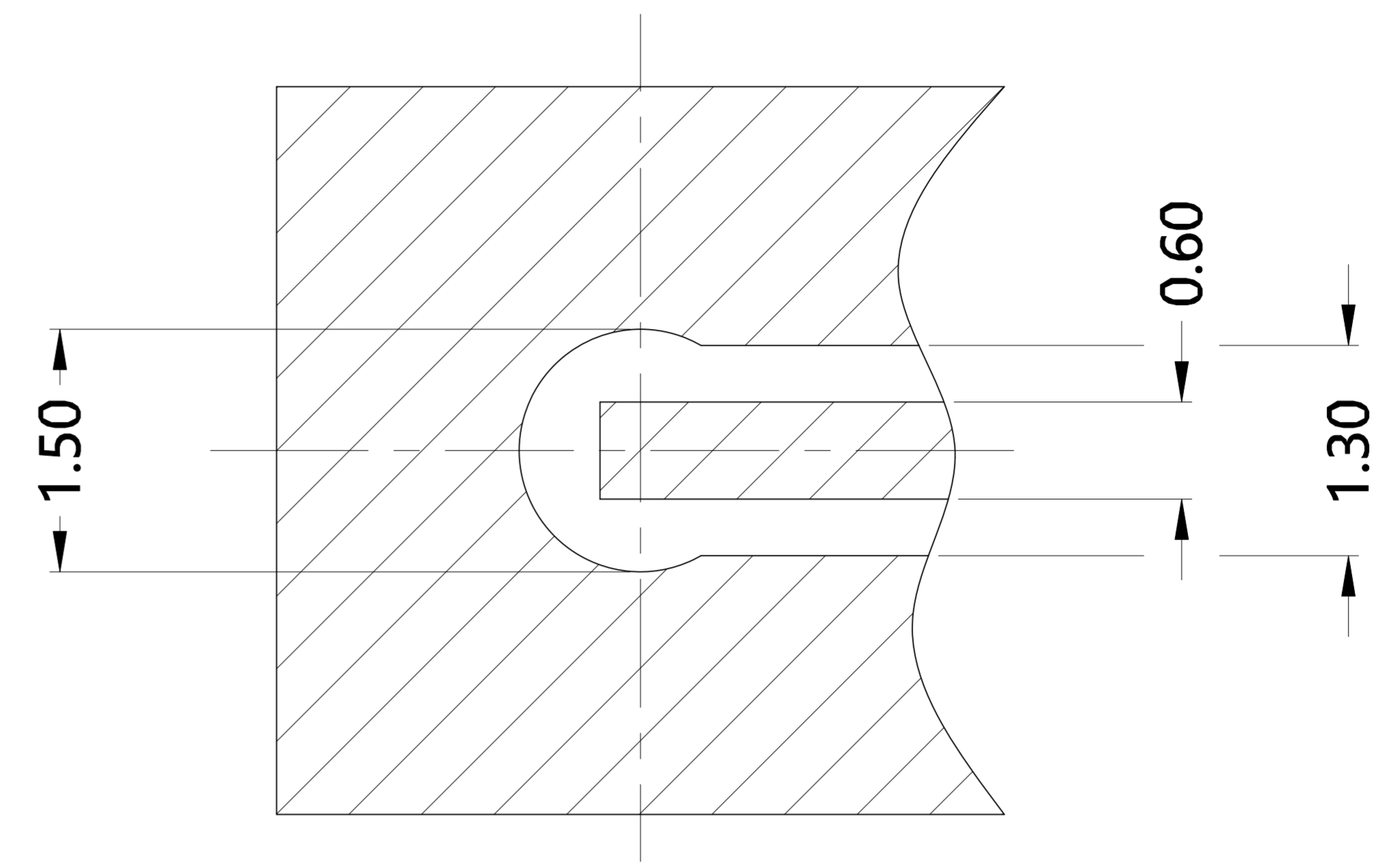
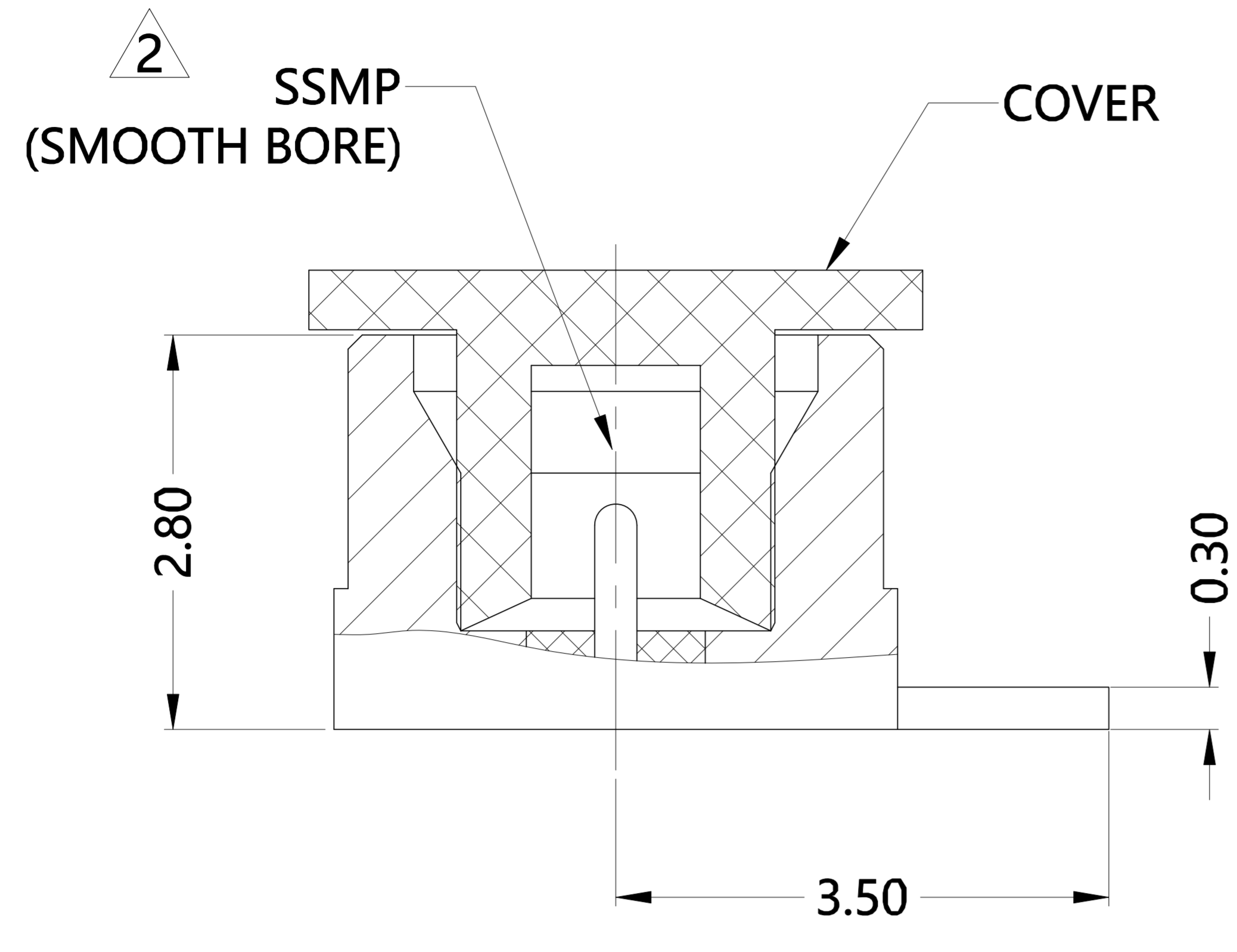


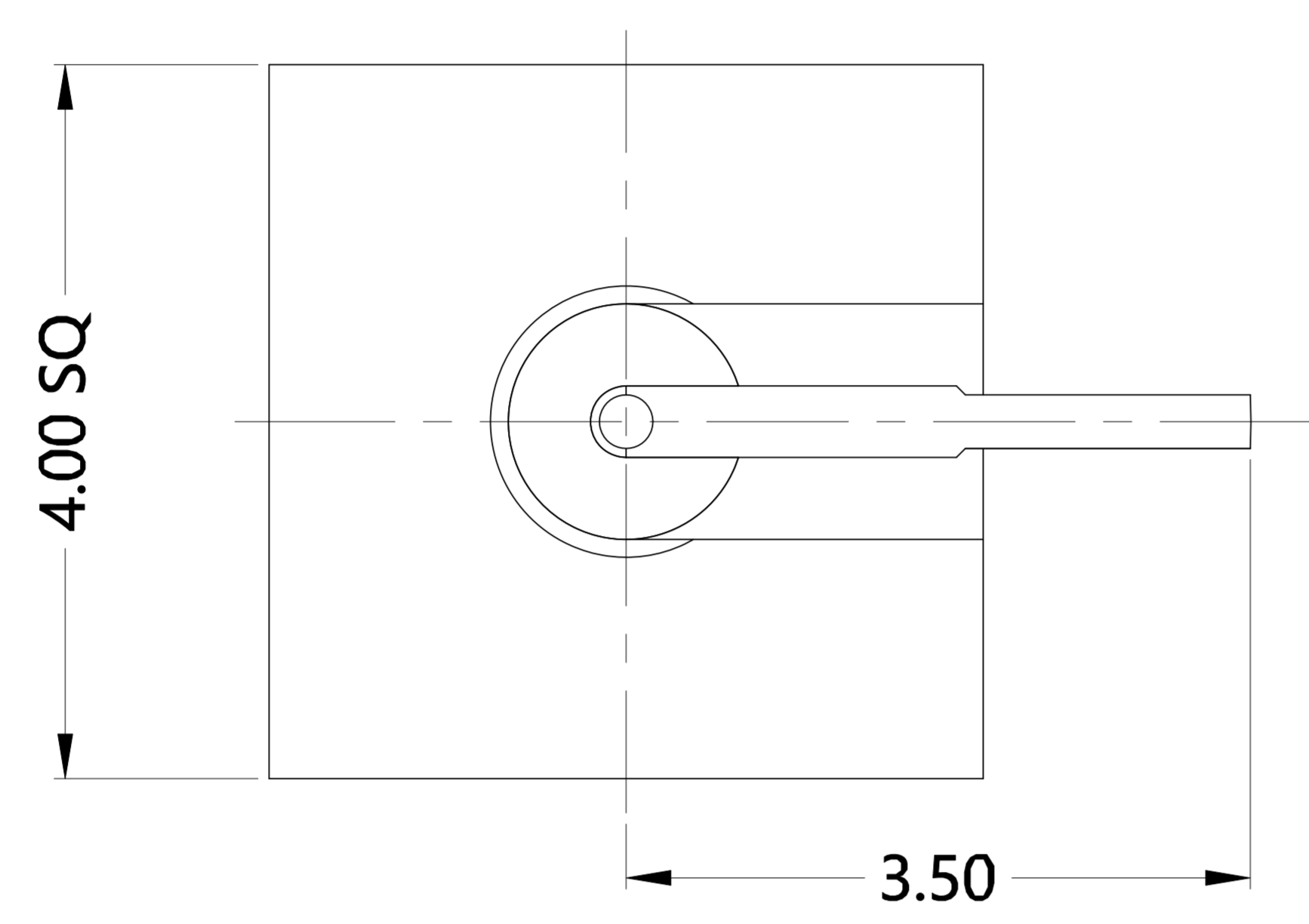
REV.	DESCRIPTION	ECN NO.	NAME	DATE
1	NEW FRAME	N/A	Leichao	2020-07-13
2	UPDATE DRAWING	N/A	JASON	2021-12-01



ALL PARTS MUST MEET TO RoHS REQUIREMENTS



RECOMMENDED PCB LAYOUT (TOP MOUNT)



MATERIALS AND PLATING		UNIT: MICRO-INCHES
PART NAME	MATERIALS	PLATING
BODY	BRASS C3604	GOLD 3 u"/NICKEL/COPPER
CONTACT PIN	Be-Cu C17300	GOLD 15 u"/COPPER
INSULATOR	PEEK	N/A
COVER	PTFE ASTM-D-1710	N/A

ELECTRICAL CHARACTERISTICS	
IMPEDANCE	50 Ω
VOLTAGE RATING	170 V(rms)
FREQUENCY RANGE	DC ~ 6 GHz
DIELECTRIC WITHSTANDING VOLTAGE	>500 V
CONTACT RESISTANCE	CENTER CONTACT < 10 mΩ
	OUTER CONTACT < 5 mΩ
INSULATION RESISTANCE	>5000 MΩ
INSERTION LOSS	< 0.1x√F(GHz) dB
VSWR	<1.35

MECHANICAL CHARACTERISTICS	
FORCE TO ENGAGE	N/A
FORCE TO DISENGAGE	N/A
CENTER CONTACT RETENTION FORCE	N/A
DURABILITY	> 500 cycles (SMOOTH BORE)

ENVIRONMENTAL PARAMETER	
TEMPERATURE RANGE	-40 °C ~ +125 °C
THERMAL SHOCK	US MIL- STD 202, Meth. 107, Cond. B
VIBRATION	US MIL- STD 202, Meth. 204, Cond. D
SHOCK	US MIL- STD 202, Meth. 213, Cond. I
CLIMATIC CLASS	IEC 60068 65/165/21

* CUSTOMER OUTLINE DRAWING

UNLESS OTHERWISE SPECIFIED:
 1) EDGES : C0.15 MAX ;
 2) REMOVE ALL BURRS ;
 3) SURFACE ROUGHNESS : Ra1.6 ;
 4) UNITS : mm ;
 5) DIMENSIONS TOLERANCES
 DECIMALS : .x ±0.3 .xx ±0.2 .xxx±0.1 ;
 ANGLES : ± 5°.

THIRD ANGLE PROJECTION	
APPROVED :	CUSTOMER P/N :
CHECKED :	SCALE :
DRAWING : JASON	DATE : 2021-12-01
	PAGE : 1/1

TITLE : SSMP SMOOTH BORE MALE R/A FOR PCB SMT, 50Ω
 DRAWING NO. : 5MPM27S-P01-001
 COMPANY WEBSITE : www.slkcorp.com

CUSTOMER OUTLINE DRAWING