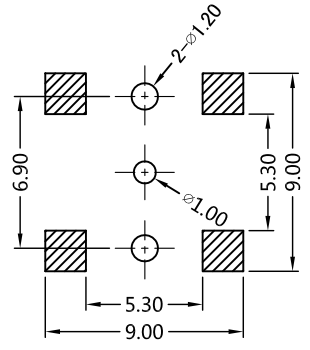
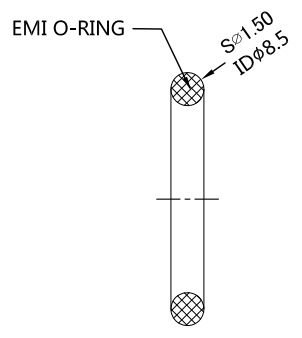
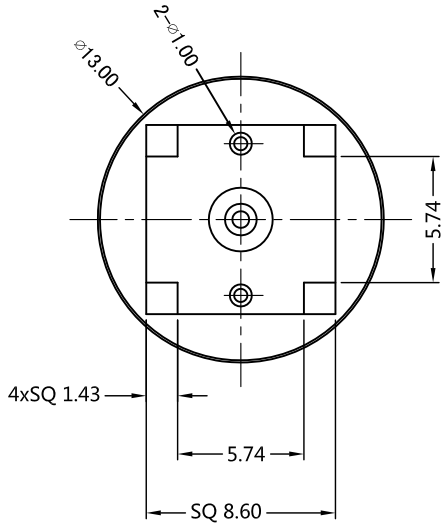
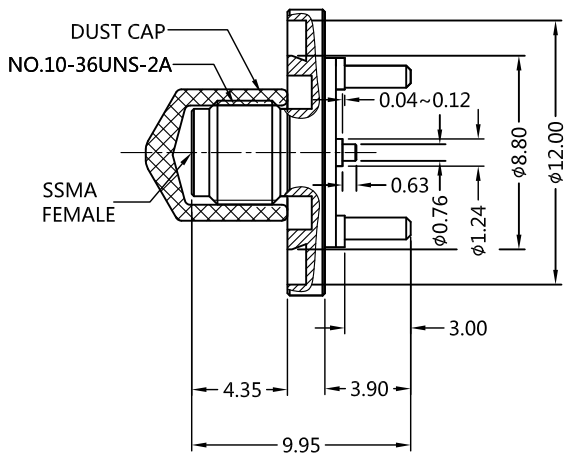


REV	DESCRIPTION	ECN NO	NAME	DATE
0	FIRST EDITION	N/A	YWD	2018-11-22
1	NEW FRAME	N/A	LW	2020-07-10



ALL PARTS MUST MEET TO RoHS REQUIREMENTS



RECOMMENDED MOUNTING HOLES DIM'S

MATERIALS AND PLATING		UNIT: MICRO-INCHES
BODY	BRASS C3604	GOLD 3 u"/NICKEL/COPPER
CONTACT PIN	Be-Cu C17300	GOLD 30 u"/NICKEL/COPPER
INSULATOR	PTFE ASTM-D-1710	N/A
EMI O-RING	ALUMINUM&SILVER&SILICONE	BLUE

ELECTRICAL CHARACTERISTICS	
IMPEDANCE	50 Ω
VOLTAGE RATING	175 V(rms)
FREQUENCY RANGE	DC~12 GHz
DIELECTRIC WITHSTANDING VOLTAGE	>500 V
CONTACT RESISTANCE	CENTER CONTACT <4.0 mΩ
	OUTER CONTACT <2.0 mΩ
INSULATION RESISTANCE	>1000 MΩ
INSERTION LOSS	<0.05√F dB
VSWR	<1.2
3RD INTERMODULATION	N/A

MECHANICAL CHARACTERISTICS	
FORCE TO ENGAGE AND DISENGAGE	N/A
CENTER CONTACT RETENTION FORCE	>2.5 lbs
RECOMMENDED COUPLING TORQUE	N/A
COUPLING NUT RETENTION FORCE	N/A
DURABILITY	>500 cycles

ENVIRONMENTAL CHARACTERISTICS	
TEMPERATURE RANGE	-55 °C~+125 °C
THERMAL SHOCK	MIL- STD 202, Meth. 107,Cond. B
VIBRATION	MIL- STD 202, Meth. 204,Cond. D
SHOCK	MIL- STD 202, Meth. 213,Cond. I

CUSTOMER OUTLINE DRAWING

* CUSTOMER OUTLINE DRAWING

UNLESS OTHERWISE SPECIFIED:
 1) C0.15 MAX;
 2) REMOVE ALL BURRS;
 3) SURFACE ROUGHNESS : Ra1.6;
 4) UNITS:mm;
 5) DIMENSIONS TOLERANCES
 DECIMALS .x ±0.3 .xx ±0.2 .xxx±0.1
 ANGLES ±5°

THIRD ANGLE PROJECTION	
APPROVED:	CUSTOMER P/N:
CHECKED:	SCALE:
DRAWING:	DATE: 2020-07-10
COMPANY WEBSITE: www.slkcorp.com	

TITLE: SSMA FEMALE S/T FOR PCB THROUGH HOLE ,50Ω
 DRAWING NO: 5SAF25S-P21-005