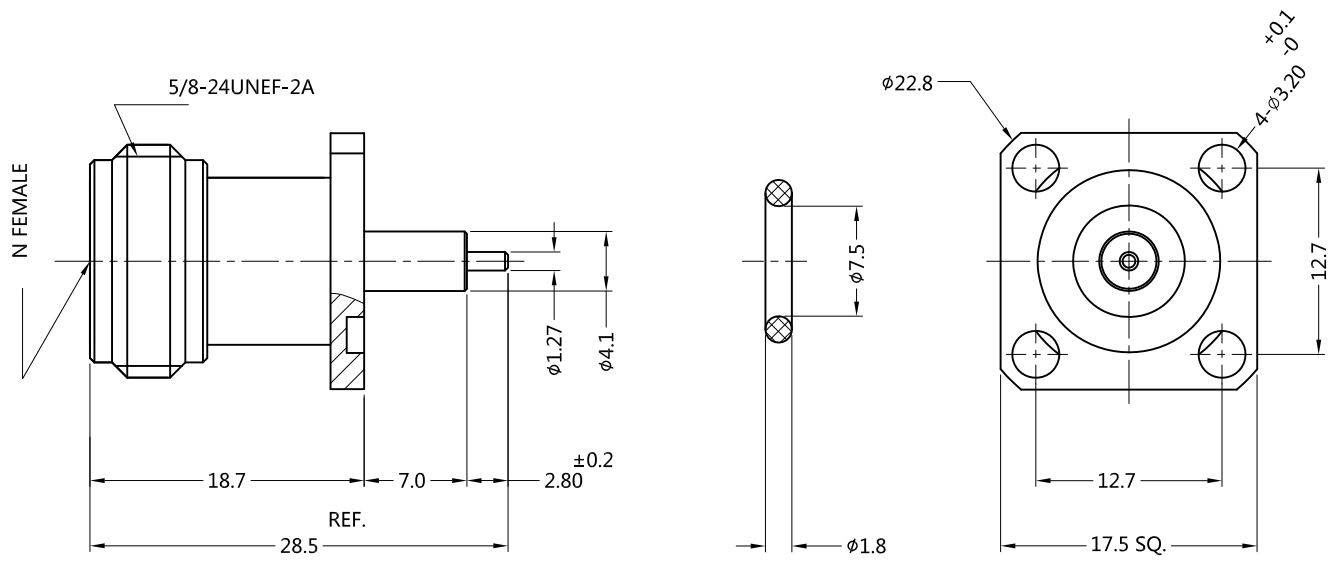


REV.	DESCRIPTION	ECN NO.	NAME	DATE
1	NEW FRAME	N/A	LDH	2020-7-21



ALL PARTS MUST MEET TO RoHS REQUIREMENTS



MATERIALS AND PLATING		UNIT: MICRO-INCHES
PART NAME	MATERIALS	PLATING
BODY	BRASS	ALBALOY 80 u"/COPPER
INSULATOR	PTFE ASTM-D-1710	N/A
CONTACT PIN	PHOSPHOR BRONZE	GOLD 3 u"/NICKEL/COPPER

ELECTRICAL CHARACTERISTICS		
IMPEDANCE	50 Ω	
VOLTAGE RATING	335 V(rms)	
FREQUENCY RANGE	0 ~ 3 GHz	
DIELECTRIC WITHSTANDING VOLTAGE	>1500 V	
CONTACT RESISTANCE	CENTER CONTACT	<1.0 mΩ
	OUTER CONTACT	<0.2 mΩ
INSULATION RESISTANCE	>5000 MΩ	
INSERTION LOSS	N/A	
VSWR	<1.30	
3RD INTERMODULATION	N/A	

MECHANICAL CHARACTERISTICS	
FORCE TO ENGAGE AND DISENGAGE	N/A
CENTER CONTACT RETENTION FORCE	>6 lbs
COUPLING PROOF TORQUE	N/A
COUPLING NUT RETENTION FORCE	N/A
DURABILITY	>500 cycles

ENVIRONMENTAL PARAMETER	
TEMPERATURE RANGE	-65°C~+165 °C
THERMAL SHOCK	US MIL- STD 202, METH. 107,COND. B
VIBRATION	US MIL- STD 202, METH. 204,COND. B
SHOCK	US MIL- STD 202, METH. 213,COND. I
CLIMATIC CLASS	IEC 60068 65/165/21

*** CUSTOMER OUTLINE DRAWING**

UNLESS OTHERWISE SPECIFIED:
 1) EDGES : C0.15 MAX ;
 2) REMOVE ALL BURRS ;
 3) SURFACE ROUGHNESS : Ra1.6 ;
 4) UNITS : mm ;
 5) DIMENSIONS TOLERANCES
 DECIMALS : .x ±0.3 .xx ±0.2 .xxx±0.1;
 ANGLES : ± 5°.

THIRD ANGLE PROJECTION	
APPROVED :	CUSTOMER P/N :
CHECKED :	SCALE :
DRAWING :	DATE :
LDH	2020-7-21
PAGE : 1/1	

TITLE : N FEMALE S/T SOLDER PCB,4-HOLE FLANGE,50Ω
 DRAWING NO. : 5NCF85S-H41-009
 COMPANY WEBSITE : www.slkcorp.com

CUSTOMER OUTLINE DRAWING