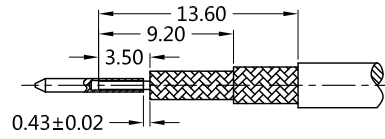
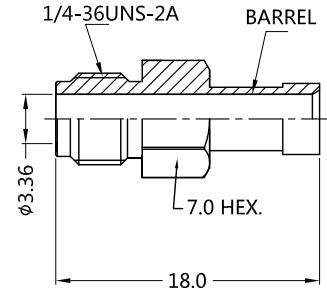
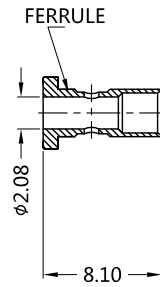
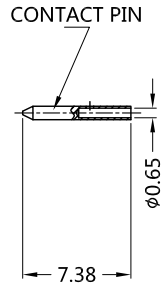
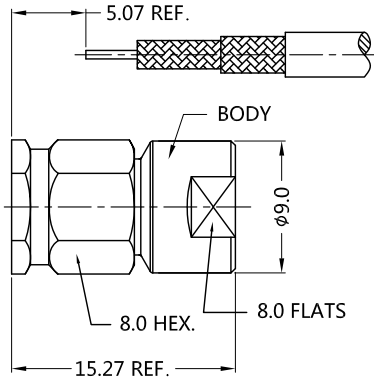


REV.	DESCRIPTION	ECN NO.	NAME	DATE			
1	ADD PART NAME	N/A	CLOUD	2016-02-25			
2	NEW FRAME	N/A	JING	2020-07-13			ALL PARTS MUST MEET TO RoHS REQUIREMENTS

REMARKS:
1. CONTACT PIN TO SOLDER



RECOMMENDED CABLE STRIPPING DIM'S



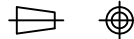
MATERIALS AND PLATING			UNIT: MICRO-INCHES	ELECTRICAL CHARACTERISTICS	
PART NAME	MATERIALS	PLATING			
BODY/SHELL	STAINLESS STEEL	PASSIVATION		IMPEDANCE	50 Ω
INSULATOR	PTFE ASTM-D-1710	N/A		VOLTAGE RATING	335 V(rms)
CONTACT PIN	Be-Cu C17300	GOLD 50u"/NICKEL/COPPER		FREQUENCY RANGE	0 ~ 18 GHz
BARREL	STAINLESS STEEL	PASSIVATION		DIELECTRIC WITHSTANDING VOLTAGE	>500 V
FERRULE	BRASS	GOLD 10u"/NICKEL/COPPER		CONTACT RESISTANCE	CENTER CONTACT <3.0 mΩ OUTER CONTACT <2.0 mΩ
				INSULATION RESISTANCE	>5000 MΩ
				INSERTION LOSS	According as the cable
				RF-LEAKAGE	N/A
				VSWR	<1.30
				3RD INTERMODULATION	N/A
				ENVIRONMENTAL PARAMETER	
				TEMPERATURE RANGE	-40 °C ~ +125 °C

MECHANICAL CHARACTERISTICS	
FORCE TO ENGAGE AND DISENGAGE	N/A
CENTER CONTACT RETENTION FORCE	N/A
RECOMMENDED COUPLING TORQUE	7-10 in-lbs
COUPLING NUT RETENTION FORCE	>60 lbs
DURABILITY	>500 cycles

* CUSTOMER OUTLINE DRAWING

UNLESS OTHERWISE SPECIFIED:
1) EDGES : C0.15 MAX ;
2) REMOVE ALL BURRS ;
3) SURFACE ROUGHNESS : Ra1.6 ;
4) UNITS : mm ;
5) DIMENSIONS TOLERANCES
DECIMALS : .x ±0.3 .xx ±0.2 .xxx±0.1;
ANGLES : ± 5°.

THIRD ANGLE PROJECTION



APPROVED :

CUSTOMER P/N :

CHECKED :

SCALE :

2 : 1

DRAWING :

JING

DATE : 2020-07-13

PAGE : 1/1



TITLE : SMA MALE S/T SOLDER FOR SFT-316 CABLE, 50Ω

DRAWING NO. : 5MAM13S-A120-001

COMPANY WEBSITE : www.slkcorp.com

CUSTOMER OUTLINE DRAWING