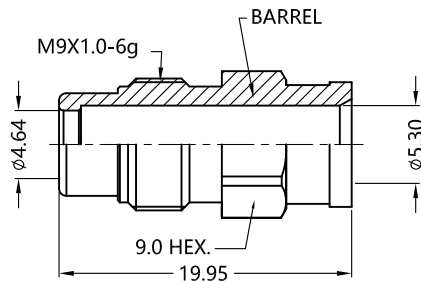
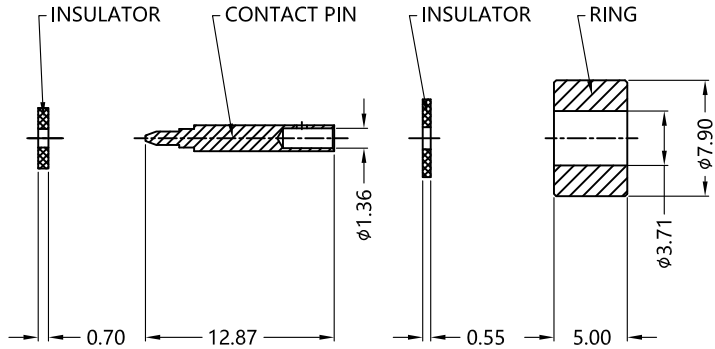
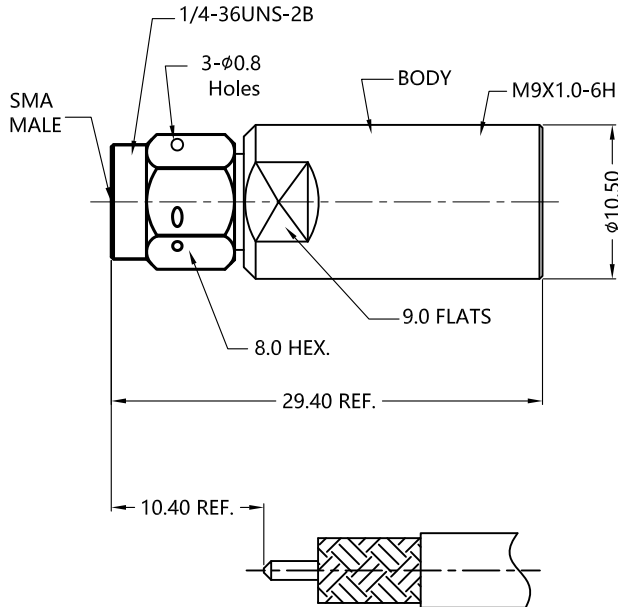
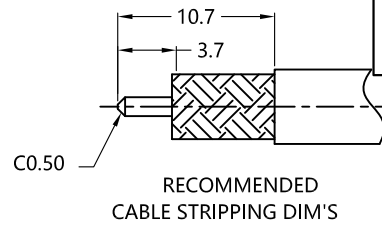


REV.	DESCRIPTION	ECN NO.	NAME	DATE			
1	ADD THE CHAMFER	N/A	LIU	2020-04-28			
2	NEW FRAME	N/A	JING	2020-12-31			



ALL PARTS MUST MEET TO RoHS REQUIREMENTS

REMARK:  
1.CONTACT PIN TO SOLDER



MATERIALS AND PLATING		UNIT: MICRO-INCHES
PART NAME	MATERIALS	PLATING
BODY/SHELL	STAINLESS STEEL	PASSIVATION
INSULATOR	PTFE MIL-P-19468	N/A
CONTACT PIN	BE-Cu C17300	GOLD 50 u"/NICKEL/COPPER
GASKET	SILICONE	N/A
BARREL	STAINLESS STEEL	PASSIVATION

ELECTRICAL CHARACTERISTICS	
IMPEDANCE	50 Ω
VOLTAGE RATING	N/A
FREQUENCY RANGE	0 ~ 18 GHz
DIELECTRIC WITHSTANDING VOLTAGE	>500 V
CONTACT RESISTANCE	CENTER CONTACT
	OUTER CONTACT
INSULATION RESISTANCE	>5000 MΩ
INSERTION LOSS	N/A
RF-LEAKAGE	N/A
VSWR	<1.30
3RD INTERMODULATION	N/A

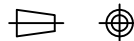
MECHANICAL CHARACTERISTICS	
FORCE TO ENGAGE AND DISENGAGE	N/A
CENTER CONTACT RETENTION FORCE	N/A
RECOMMENDED COUPLING TORQUE	7-10 in-lbs
COUPLING NUT RETENTION FORCE	>60 lbs
DURABILITY	>500cycles

ENVIRONMENTAL PARAMETER	
TEMPERATURE RANGE	-40 °C ~ +125 °C

\* CUSTOMER OUTLINE DRAWING

UNLESS OTHERWISE SPECIFIED:  
 1) EDGES : C0.15 MAX ;  
 2) REMOVE ALL BURRS ;  
 3) SURFACE ROUGHNESS : Ra1.6 ;  
 4) UNITS : mm ;  
 5) DIMENSIONS TOLERANCES  
 DECIMALS : .x ±0.3 .xx ±0.2 .xxx±0.1;  
 ANGLES : ± 5°.

THIRD ANGLE PROJECTION



APPROVED :	CUSTOMER P/N :
CHECKED :	SCALE :
DRAWING :	DATE :
JING	2020-12-31
	PAGE : 1/1



TITLE : SMA S/T MALE CLAMP FOR MG-200 CABLE,50Ω  
 DRAWING NO. : 5MAM13S-A336-001  
 COMPANY WEBSITE : www.slkcorp.com

CUSTOMER OUTLINE DRAWING