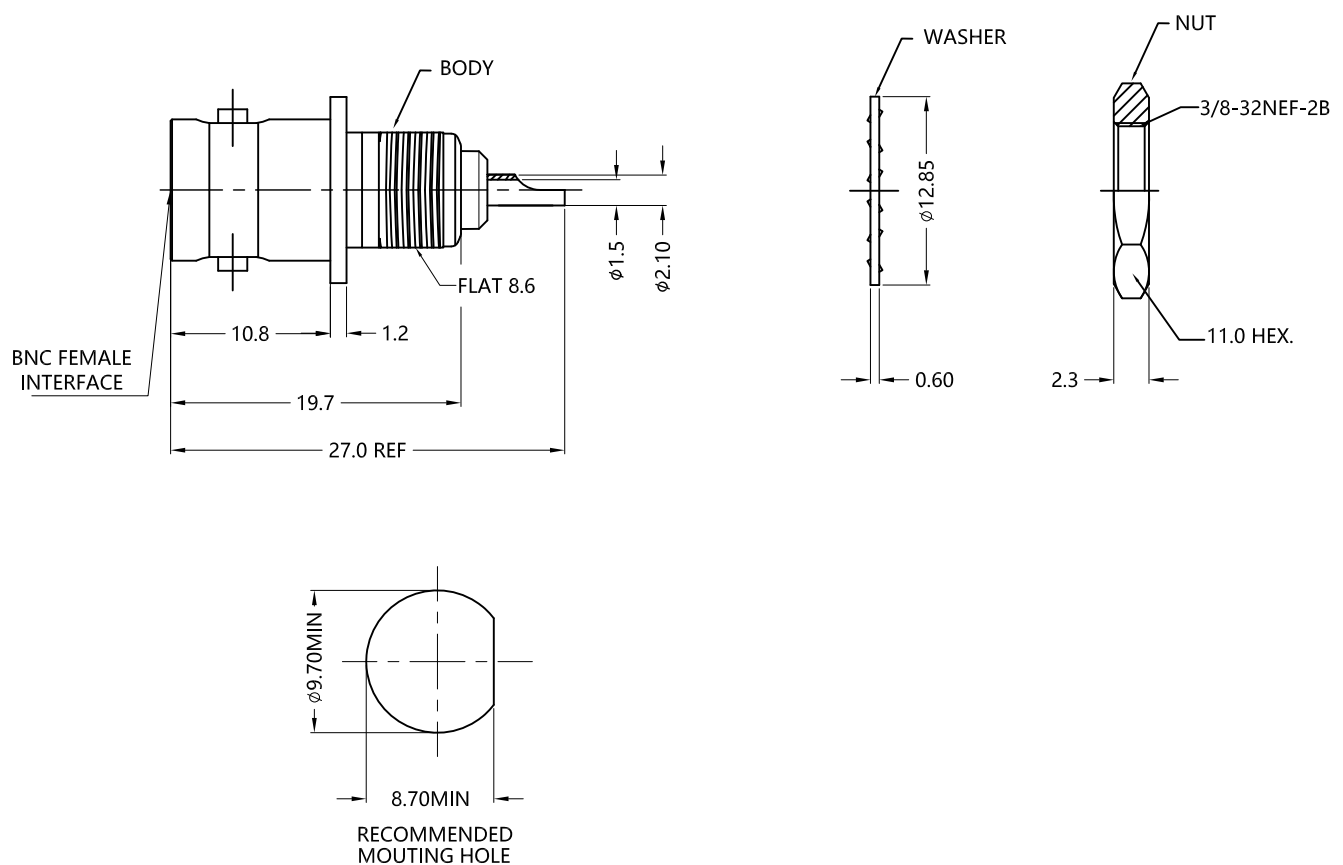


REV.	DESCRIPTION	ECN NO.	NAME	DATE
1	NEW FRAME	N/A	JING	2020-06-23
2	UPDATE FREQUENCY	N/A	JING	2020-08-21



ALL PARTS MUST MEET TO RoHS REQUIREMENTS



MATERIALS AND PLATING		UNIT: MICRO-INCHES
PART NAME	MATERIALS	PLATING
BODY/NUT	BRASS	SILVER 40u"/COPPER
INSULATOR	TEFLON MIL-P-19468	N/A
CONTACT PIN	PHOSPHOR BRONZE	SILVER 40u"/COPPER
WASHER	STEEL	SILVER 40u"/COPPER

ELECTRICAL CHARACTERISTICS	
IMPEDANCE	50 Ω
VOLTAGE RATING	500 V(rms)
FREQUENCY RANGE	0 ~ 4 GHz
DIELECTRIC WITHSTANDING VOLTAGE	>1500 V
CONTACT RESISTANCE	CENTER CONTACT
	OUTER CONTACT
INSULATION RESISTANCE	>5000 MΩ
INSERTION LOSS	0.3dB MAX
RF-LEAKAGE	N/A
VSWR	<1.5
3RD INTERMODULATION	N/A

MECHANICAL CHARACTERISTICS	
FORCE TO ENGAGE AND DISENGAGE	N/A
CENTER CONTACT RETENTION FORCE	>6 lbs
RECOMMENDED COUPLING TORQUE	N/A
COUPLING NUT RETENTION FORCE	N/A
DURABILITY	>500 cycles

ENVIRONMENTAL PARAMETER	
TEMPERATURE RANGE	-65 °C ~ +165 °C

CUSTOMER OUTLINE DRAWING

**\* CUSTOMER OUTLINE DRAWING**

UNLESS OTHERWISE SPECIFIED:  
 1) EDGES : C0.15 MAX ;  
 2) REMOVE ALL BURRS ;  
 3) SURFACE ROUGHNESS : Ra1.6 ;  
 4) UNITS : mm ;  
 5) DIMENSIONS TOLERANCES  
 DECIMALS : .x ±0.3 .xx ±0.2 .xxx±0.1;  
 ANGLES : ± 5°.

THIRD ANGLE PROJECTION		
APPROVED :	CUSTOMER P/N :	
CHECKED :	SCALE :	2 : 1
DRAWING :	DATE :	2020-06-23
JING	PAGE :	1/1

TITLE :  
BNC FEMALE 50 OHM FOR MOUNT

DRAWING NO. :  
5BNF11S-A00-004

COMPANY WEBSITE : [www.slkcorp.com](http://www.slkcorp.com)