
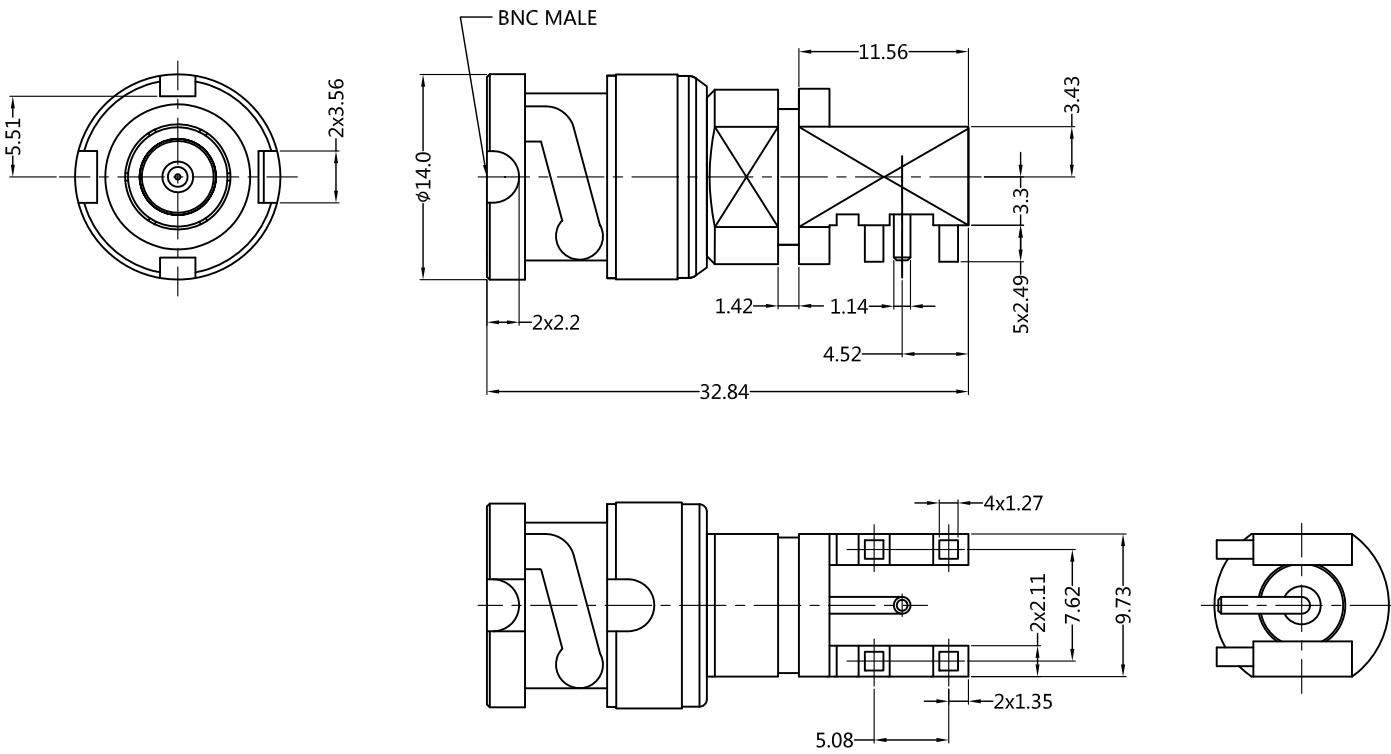


REV.	DESCRIPTION	ECN NO.	NAME	DATE	 ALL PARTS MUST MEET TO RoHS REQUIREMENTS
0	FIRST EDITION	N/A	QGZ	2020-07-11	

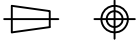



MATERIALS AND PLATING		UNIT: MICRO-INCHES
PART NAME	MATERIALS	PLATING
BODY	BRASS	BRIGHT NICKEL 200-300u"/COPPER
INSULATOR	PTFE MIL-P-19468	N/A
CONTACT PIN	BRASS	GOLD 3u"/NICKEL 100-200u"/COPPER

ELECTRICAL CHARACTERISTICS		
IMPEDANCE	50 Ω	
VOLTAGE RATING	500 V(rms)	
FREQUENCY RANGE	0 ~ 4 GHz	
DIELECTRIC WITHSTANDING VOLTAGE	>500 V	
CONTACT RESISTANCE	CENTER CONTACT	<1.5 mΩ
	OUTER CONTACT	<0.2 mΩ
INSULATION RESISTANCE	>5000 MΩ	
INSERTION LOSS	N/A	
VSWR	N/A	
3RD INTERMODULATION	N/A	

MECHANICAL CHARACTERISTICS	
FORCE TO ENGAGE AND DISENGAGE	N/A
CENTER CONTACT RETENTION FORCE	>6 lbs
RECOMMENDED COUPLING TORQUE	N/A
COUPLING NUT RETENTION FORCE	>100 lbs
DURABILITY	>500cycles

ENVIRONMENTAL PARAMETER	
TEMPERATURE RANGE	-40 °C~+125 °C
THERMAL SHOCK	MIL- STD 202, Meth. 107,Cond. B
VIBRATION	MIL- STD 202, Meth. 204,Cond. B
SHOCK	MIL- STD 202, Meth. 213,Cond. G

<b>* CUSTOMER OUTLINE DRAWING</b>		THIRD ANGLE PROJECTION 	
UNLESS OTHERWISE SPECIFIED: 1) EDGES : C0.15 MAX ; 2) REMOVE ALL BURRS ; 3) SURFACE ROUGHNESS : Ra1.6 ; 4) UNITS : mm ; 5) DIMENSIONS TOLERANCES DECIMALS : .x ±0.3 .xx ±0.2 .xxx±0.1; ANGLES : ± 5°.			
			TITLE : BNC MALE R/A FOR PCB MOUNT, 50Ω DRAWING NO. : 5BNM25R-P41 COMPANY WEBSITE : www.slkcorp.com

CUSTOMER OUTLINE DRAWING