
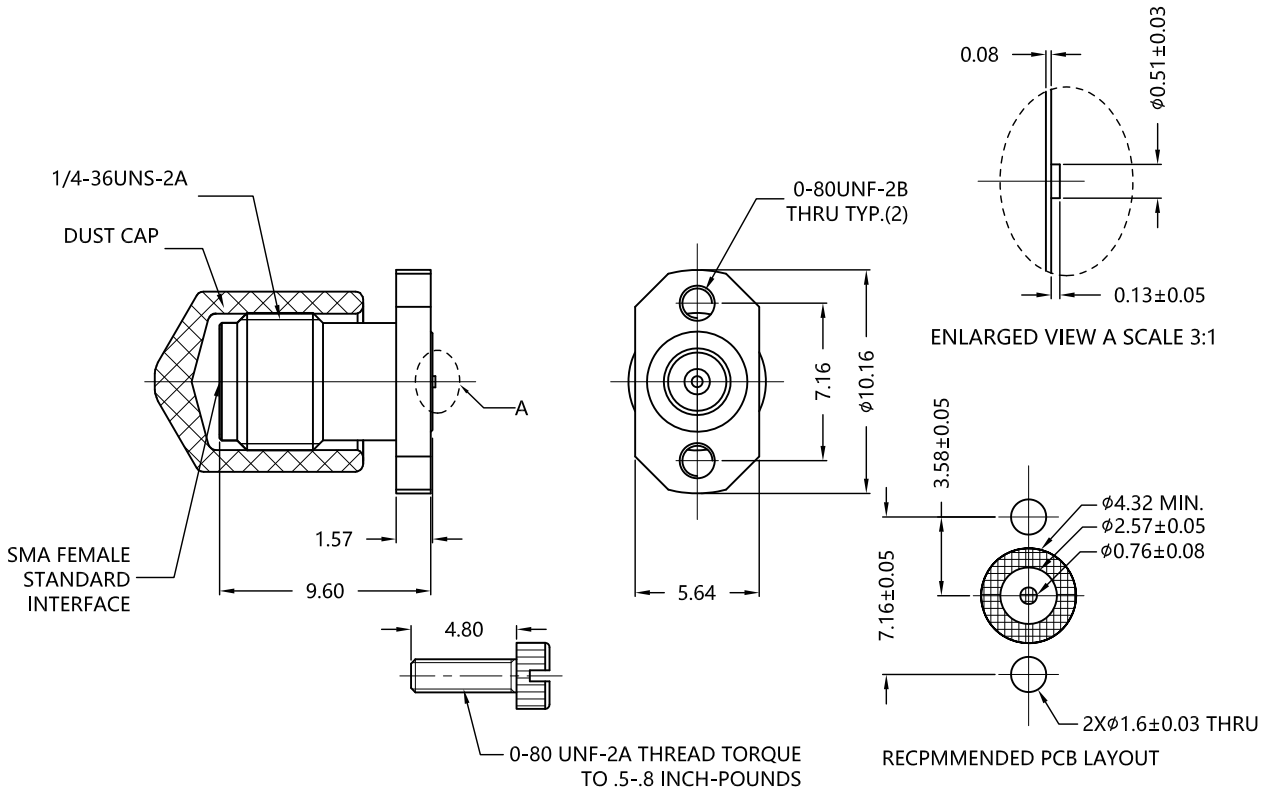


REV.	DESCRIPTION	ECN NO.	NAME	DATE	 ALL PARTS MUST MEET TO RoHS REQUIREMENTS
1	FIRST EDITION	N/A	Ming	2019-05-31	
2	UPDATE THE DRAWING FRAME	N/A	PY	2020-06-20	



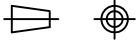

MATERIALS AND PLATING		UNIT: MICRO-INCHES
PART NAME	MATERIALS	PLATING
BODY	STAINLESS STEEL	PASSIVATION
INSULATOR	PTFE ASTM-D-1710	N/A
CONTACT PIN	BERYLLIUM COPPER	GOLD 50u"/NICKEL/COPPER
DUST CAP	PVC	BLACK

ELECTRICAL CHARACTERISTICS	
IMPEDANCE	50 Ω
VOLTAGE RATING	175V(rms)
FREQUENCY RANGE	0 ~ 27 GHz
DIELECTRIC WITHSTANDING VOLTAGE	>1000 V
CONTACT RESISTANCE	CENTER CONTACT
	OUTER CONTACT
INSULATION RESISTANCE	>5000 MΩ
INSERTION LOSS	<0.05x√F(GHz) dB
VSWR	<1.05+ 0.045x√F(GHz)
3RD INTERMODULATION	N/A

MECHANICAL CHARACTERISTICS	
FORCE TO ENGAGE AND DISENGAGE	N/A
CENTER CONTACT RETENTION FORCE	>6 lbs
RECOMMENDED COUPLING TORQUE	N/A
COUPLING NUT RETENTION FORCE	N/A
DURABILITY	>500cycles

ENVIRONMENTAL PARAMETER	
TEMPERATURE RANGE	-55 °C~+150 °C

*** CUSTOMER OUTLINE DRAWING**

UNLESS OTHERWISE SPECIFIED: 1) EDGES : C0.15 MAX ; 2) REMOVE ALL BURRS ; 3) SURFACE ROUGHNESS : Ra1.6 ; 4) UNITS : mm ; 5) DIMENSIONS TOLERANCES DECIMALS : .x ±0.3 .xx ±0.2 .xxx±0.1; ANGLES : ± 5°.	THIRD ANGLE PROJECTION		 TITLE : SMA FEMALE S/T FOR PCB MOUNTING,2 HOLES FLANGE ,50Ω DRAWING NO. : 5MAF87S-H21-003 COMPANY WEBSITE : www.slkcorp.com	
	APPROVED :			CUSTOMER P/N :
	CHECKED :	SCALE :		1 : 1
	DRAWING :	DATE :		2020-06-20
	PAGE :	1/1		

CUSTOMER OUTLINE DRAWING