
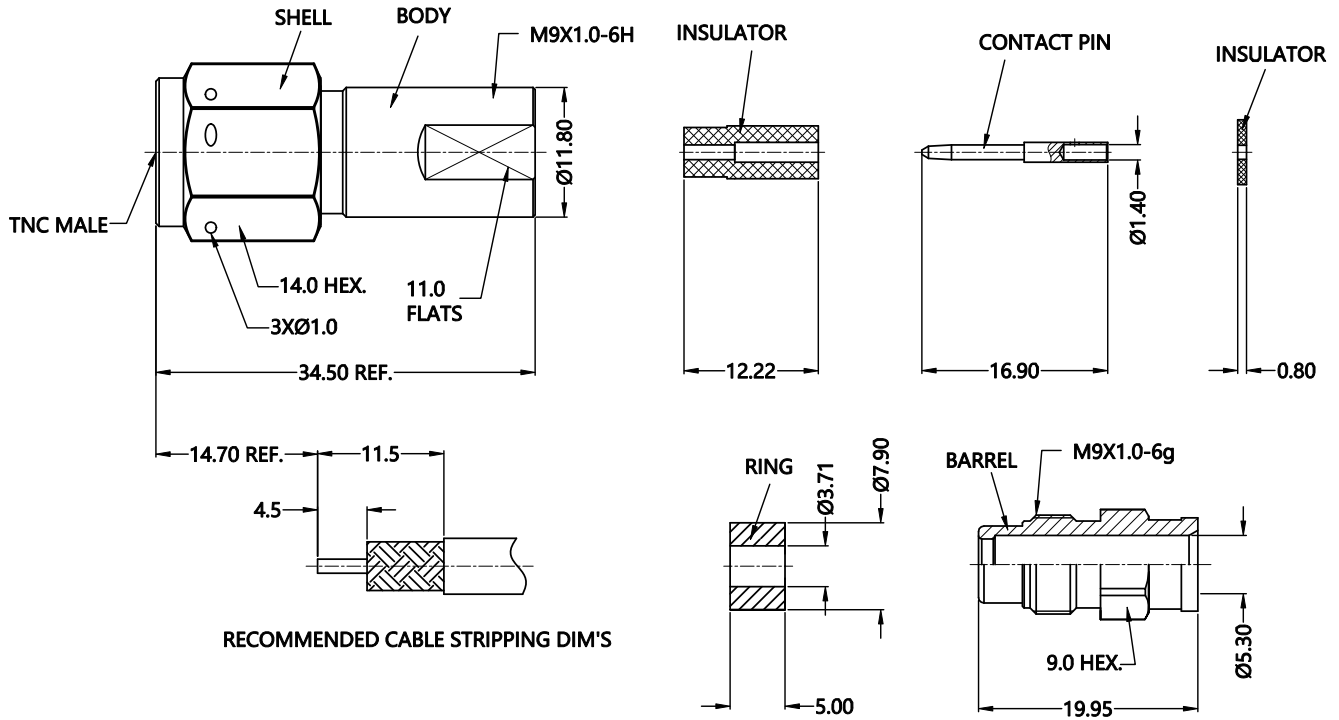


1	2	3	4	5	6
REV	DESCRIPTION	ECN NO	NAME	DATE	 ALL PARTS MUST MEET TO RoHS REQUIREMENTS
0-1	disassemble parts and "adds" size	N/A	CLOUD	2013-03-05	
2	Update the drawing	N/A	Liu	2021-05-27	

REMARKS:
 1.ADDS SIZE: 14.7mm
 2.CONTACT PIN TO SOLDER



MATERIALS AND PLATING		UNIT: MICRO-INCHES	ELECTRICAL CHARACTERISTICS	
BODY/SHELL	STAINLESS STEEL 303Cu	PASSIVATION	IMPEDANCE	50 Ω
CONTACT PIN	BRASS C3604	GOLD 50 u"/COPPER	VOLTAGE RATING	335 V(rms)
INSULATOR	PTFE ASTM-D-1710	N/A	FREQUENCY RANGE	0~18 GHz
RING	BRASS C3604	GOLD 10 u"/NICKEL/COPPER	DIELECTRIC WITHSTANDING VOLTAGE	>750 V
GASKET	SILICONE	RED	CONTACT RESISTANCE	CENTER CONTACT <1.5 mΩ
BARREL	STAINLESS STEEL 303Cu	PASSIVATION		OUTER CONTACT <0.2 mΩ
MECHANICAL CHARACTERISTICS			INSULATION RESISTANCE	>5000 MΩ
			INSERTION LOSS	<0.1√F dB
FORCE TO ENGAGE AND DISENGAGE		N/A	VSWR	<1.35
CENTER CONTACT RETENTION FORCE		N/A	3RD INTERMODULATION	N/A
RECOMMENDED COUPLING TORQUE		8~12 in.lbs	ENVIRONMENTAL CHARACTERISTICS	
COUPLING NUT RETENTION FORCE		>100 lbs	TEMPERATURE RANGE	-40 °C~+125 °C
DURABILITY		>500 cycles		

*** CUSTOMER OUTLINE DRAWING**

UNLESS OTHERWISE SPECIFIED:

- 1) C0.15 MAX;
- 2) REMOVE ALL BURRS;
- 3) SURFACE ROUGHNESS : Ra1.6;
- 4) UNITS:mm;
- 5) DIMENSIONS TOLERANCES
 DECIMALS .x ±0.3 .xx ±0.2 .xxx ±0.1
 ANGLES ±5°

THIRD ANGLE PROJECTION



APPROVED:

CUSTOMER P/N:

CHECKED:

SCALE:

DRAWING:

DATE: 2021-05-27

COMPANY WEBSITE: www.slkcorp.com



TITLE: TNC MALE S/T CLAMP FOR MG-200 CABLE,50Ω

DRAWING NO:

5TCM13S-A336

CUSTOMER OUTLINE DRAWING