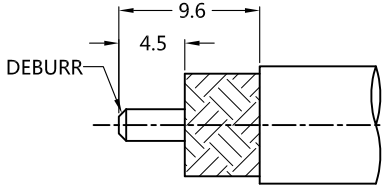



REV.	DESCRIPTION	ECN NO.	NAME	DATE
0	FIRST EDITION	N/A	YWD	2018-05-24
1	UPDATE THE DRAWING	N/A	YWD	2018-05-25
2	UPDATE THE DRAWING	N/A	YWD	2018-06-21
3	UPDATE THE DRAWING	N/A	YWD	2018-07-05
4	UPDATE THE DRAWING	N/A	YWD	2018-07-12
5	UPDATE THE DRAWING	N/A	YWD	2018-07-31
6	REPLACE FRAME	N/A	Kevin.Li	2020-07-07

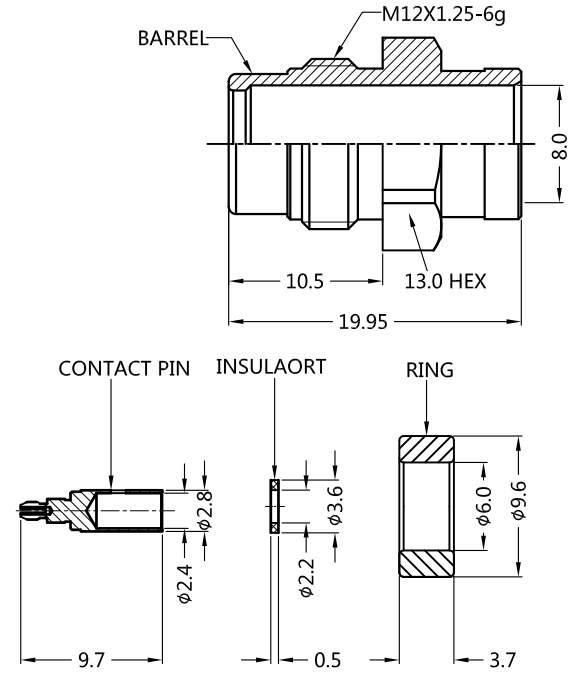
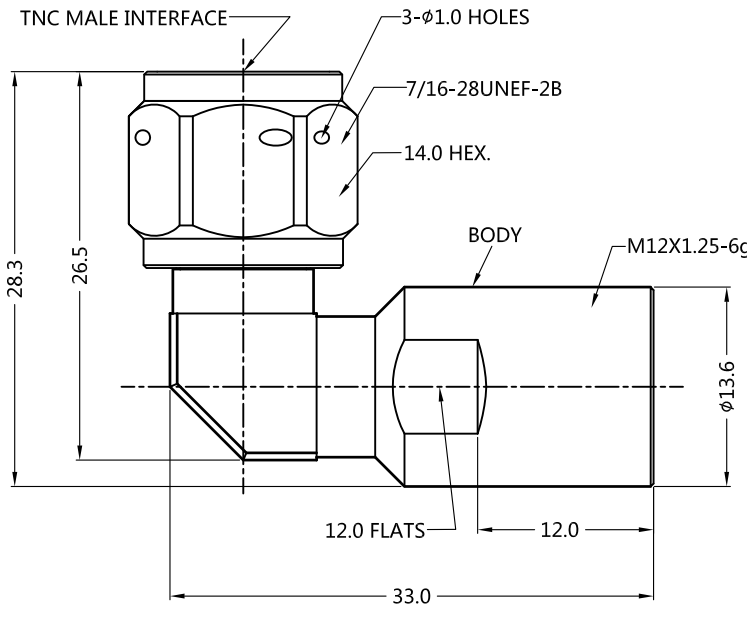




ALL PARTS MUST MEET TO RoHS REQUIREMENTS

RECOMMENDED CABLE STRIPPING DIM'S

REMARKS:
 1.CONTACT PIN TO SLODER
 2.ADDS SIZE: 14.8mm



MATERIALS AND PLATING		UNIT: MICRO-INCHES
PART NAME	MATERIALS	PLATING
BODY/SHELL	STAINLESS STEEL	PASSIVATION
INSULATOR	PTFE ASTM-D-1710	N/A
CONTACT PIN	BRASS + Be-Cu	GOLD 50 u"/NICKEL/COPPER
BARREL	STAINLESS STEEL	PASSIVATION
GASKET	SILICONE	RED
RING	BRASS	GOLD 10 u"/NICKEL/COPPER

ELECTRICAL CHARACTERISTICS	
IMPEDANCE	50 Ω
VOLTAGE RATING	175V(rms)
FREQUENCY RANGE	0 ~ 18 GHz
DIELECTRIC WITHSTANDING VOLTAGE	>500 V
CONTACT RESISTANCE	CENTER CONTACT
	OUTER CONTACT
INSULATION RESISTANCE	>5000MΩ
INSERTION LOSS	0.1x√f (GHz)
VSWR	<1.4
3RD INTERMODULATION	N/A

MECHANICAL CHARACTERISTICS	
FORCE TO ENGAGE AND DISENGAGE	N/A
CENTER CONTACT RETENTION FORCE	> 6 lbs
RECOMMENDED COUPLING TORQUE	8-12 in-lbs
COUPLING NUT RETENTION FORCE	> 100 lbs
DURABILITY	> 500cycles

ENVIRONMENTAL PARAMETER	
TEMPERATURE RANGE	-40 °C ~ +125 °C
VIBRATION	US MIL- STD 202, Meth. 204,Cond. B
SHOCK	US MIL- STD 202, Meth. 213,Cond. I
CORROSION	US MIL- STD 202, Meth. 101,Cond. B
CLIMATIC CLASS	IEC 60068 55/155/56

*** CUSTOMER OUTLINE DRAWING**

UNLESS OTHERWISE SPECIFIED:
 1) EDGES : C0.15 MAX ;
 2) REMOVE ALL BURRS ;
 3) SURFACE ROUGHNESS : Ra1.6 ;
 4) UNITS : mm ;
 5) DIMENSIONS TOLERANCES
 DECIMALS : .x ±0.3 .xx ±0.2 .xxx±0.1;
 ANGLES : ± 5°.

THIRD ANGLE PROJECTION	
APPROVED :	CUSTOMER P/N :
CHECKED :	SCALE :
DRAWING :	DATE : 2020-07-07
PAGE : 1/1	



TITLE : TNC MALE R/A CLAMP FOR MG-300 CABLE,50Ω

DRAWING NO. : 5TCM14R-A279

COMPANY WEBSITE : www.slkcorp.com

CUSTOMER OUTLINE DRAWING