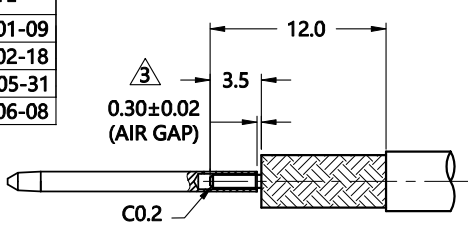


REV.	DESCRIPTION	ECN NO.	NAME	DATE
1	Update the drawing	N/A	Liu	2019-01-09
2	Modify material	N/A	Liu	2022-02-18
3	Update the drawing	N/A	Liu	2022-05-31
4	Update the drawing	N/A	LEI CHAO	2022-06-08

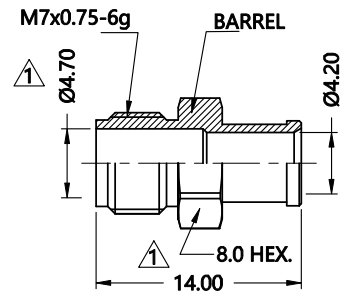
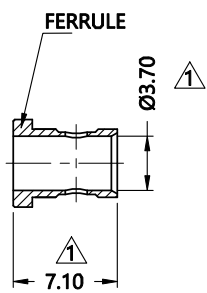
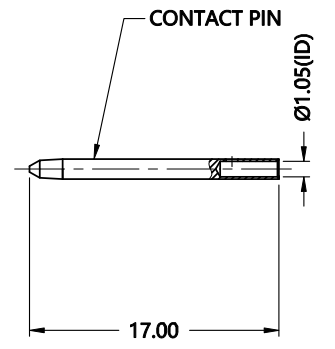
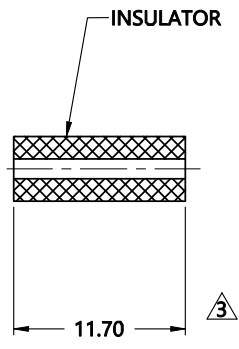
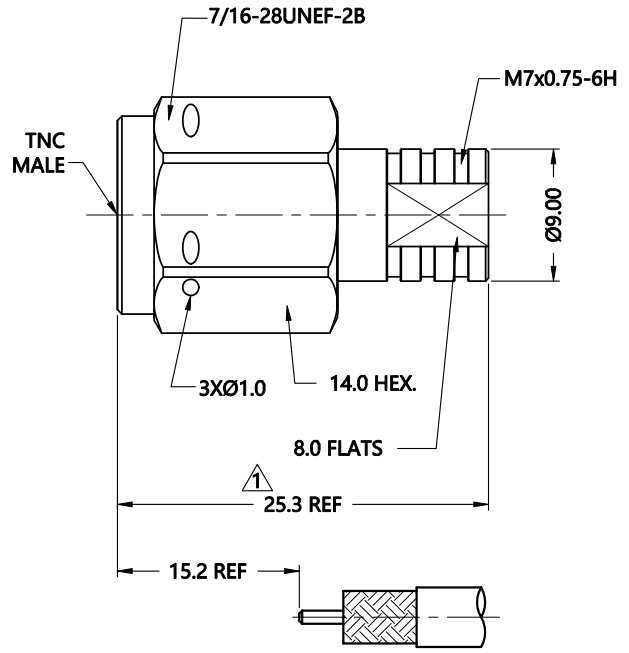


ALL PARTS MUST MEET TO RoHS REQUIREMENTS

REMARK:  
1. CONTACT PIN AND FERRULE TO SOLDER



RECOMMENDED CABLE STRIPPING DIM'S



MATERIALS AND PLATING		UNIT: MICRO-INCHES
PART NAME	MATERIALS	PLATING
BODY/SHELL	STAINLESS STEEL 316F $\triangle 2$	PASSIVATION
INSULATOR	PTFE ASTM-D-1710	N/A
CONTACT PIN	BRASS C3604	GOLD 50 $\mu$ */ NICKEL/COPPER
FERRULE $\triangle 4$	BRASS C3604	GOLD 10 $\mu$ */ NICKEL/COPPER
GASKET	SILICONE	RED
BARREL	STAINLESS STEEL 316F $\triangle 2$	PASSIVATION

ELECTRICAL CHARACTERISTICS	
IMPEDANCE	50 $\Omega$
VOLTAGE RATING	N/A
FREQUENCY RANGE	0 ~ 18 GHz
DIELECTRIC WITHSTANDING VOLTAGE	> 1000 V
CONTACT RESISTANCE	CENTER CONTACT <1.5 m $\Omega$
	OUTER CONTACT <0.2 m $\Omega$
INSULATION RESISTANCE	>5000 M $\Omega$
INSERTION LOSS	<0.1 $\times\sqrt{F}$ (GHz) dB
VSWR	<1.30
3RD INTERMODULATION	N/A

MECHANICAL CHARACTERISTICS	
FORCE TO ENGAGE AND DISENGAGE	N/A
CENTER CONTACT RETENTION FORCE	N/A
RECOMMENDED COUPLING TORQUE	8~12 in.lbs
COUPLING NUT RETENTION FORCE	>100 lbs
DURABILITY	> 500 cycles

ENVIRONMENTAL PARAMETER	
TEMPERATURE RANGE	-40 $^{\circ}$ C ~ +125 $^{\circ}$ C
Vibration	MIL-STD 202G, Meth 204, Cond B
Shock	MIL-STD 202G, Meth 213, Cond I
Corrosion	MIL-STD 202G, Meth 101, Cond B
Relative Humidity	MIL-STD 202G, Meth 106

\* CUSTOMER OUTLINE DRAWING

UNLESS OTHERWISE SPECIFIED:  
 1) EDGES : C0.15 MAX ;  
 2) REMOVE ALL BURRS ;  
 3) SURFACE ROUGHNESS : Ra1.6 ;  
 4) UNITS : mm ;  
 5) DIMENSIONS TOLERANCES  
 DECIMALS : .x  $\pm$ 0.3 .xx  $\pm$ 0.2 .xxx  $\pm$ 0.1 ;  
 ANGLES :  $\pm$  5 $^{\circ}$ .

THIRD ANGLE PROJECTION	
APPROVED :	CUSTOMER P/N :
CHECKED :	SCALE :
DRAWING :	DATE : 2022-06-08
COMPANY WEBSITE : www.silcorp.com	

TITLE : TNC MALE S/T CLAMP FOR RG-402TFLEX-402 CABLE,50 $\Omega$   
 DRAWING NO. : 5TCM15S-A81-005

CUSTOMER OUTLINE DRAWING