
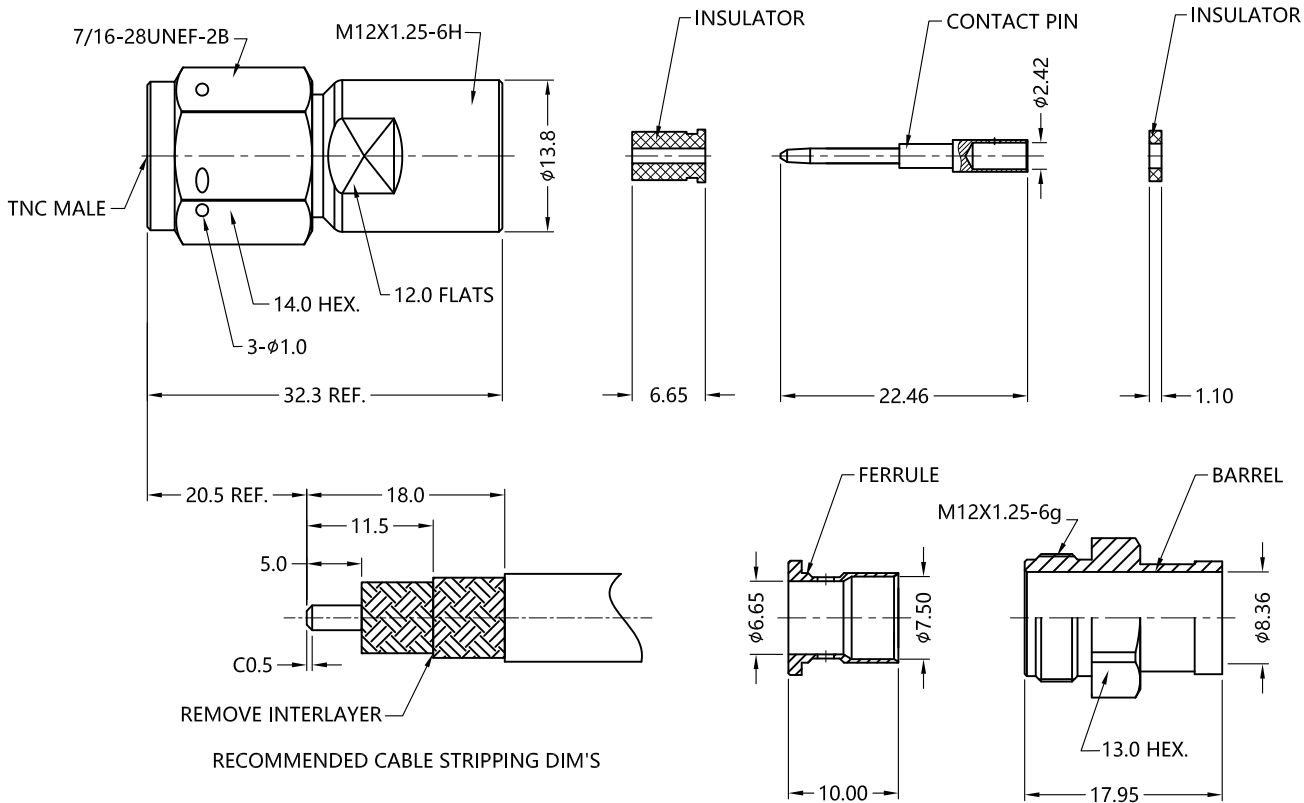


1	2	3	4	5	6
REV.	DESCRIPTION	ECN NO.	NAME	DATE	 ALL PARTS MUST MEET TO RoHS REQUIREMENTS
0	FIRST EDITION	N/A	Liu	2020-08-26	

REMARKS:
1.CONTACT PIN TO SOLDER





MATERIALS AND PLATING			ELECTRICAL CHARACTERISTICS			
UNIT: MICRO-INCHES						
BODY/SHELL	STAINLESS STEEL	PASSIVATION	IMPEDANCE	50 Ω		
CONTACT PIN	BRASS C3604	GOLD 50 u"/NICKEL/COPPER	VOLTAGE RATING	N/A		
INSULATOR	PTFE ASTM-D-1710	N/A	FREQUENCY RANGE	DC ~ 18 GHz		
FERRULE	BRASS C3604	GOLD 10 u"/NICKEL/COPPER	DIELECTRIC WITHSTANDING VOLTAGE			
BARREL	STAINLESS STEEL	PASSIVATION	> 750 V			
			CONTACT RESISTANCE	CENTER CONTACT	<1.5 mΩ	
					OUTER CONTACT	<0.2 mΩ
			INSULATION RESISTANCE	> 5000 MΩ		
			INSERTION LOSS	<0.05x√f (GHz) dB		
			VSWR	<1.30		
			3RD INTERMODULATION	N/A		

MECHANICAL CHARACTERISTICS		ENVIRONMENTAL CHARACTERISTICS	
Force to engage and disengage	N/A	TEMPERATURE RANGE	-40 °C~+125 °C
Center contact retention force	N/A	VIBRATION	US MIL-STD-202 , Meth 204, Cond B
Recommended coupling torque	8~12 in-lbs	SHOCK	US MIL-STD-202 , Meth 213, Cond I
Coupling nut retention force	> 100 lbs	THERMAL SHOCK	US MIL-STD-202 , Meth 107, Cond B
Durability	> 500 cycles		

***CUSTOMER OUTLINE DRAWING**

UNLESS OTHERWISE SPECIFIED:
 1) EDGES) : C0.15 MAX;
 2) REMOVE ALL BURRS;
 3) SURFACE ROUGHNESS: Ra0.8;
 4) UNITS:mm;
 5) DIMENSIONS TOLERANCES
 DECIMALS .x ±0.3 .xx ±0.2 .xxx±0.1
 ANGLES ±3°

THIRD ANGLE PROJECTION			
APPROVED:	CUSTOMER P/N:		
CHECKED:	SCALE:	TITLE: TNC MALE S/T CLAMP FOR PT-318 CABLE,50Ω	
DRAWING:	DATE: 2020-08-26	DRAWING NO: 5TCM15S-A414	
		COMPANY WEBSITE: www.slkcorp.com	

CUSTOMER OUTLINE DRAWING