

SFC-210

High Performance Microwave Coax Cable

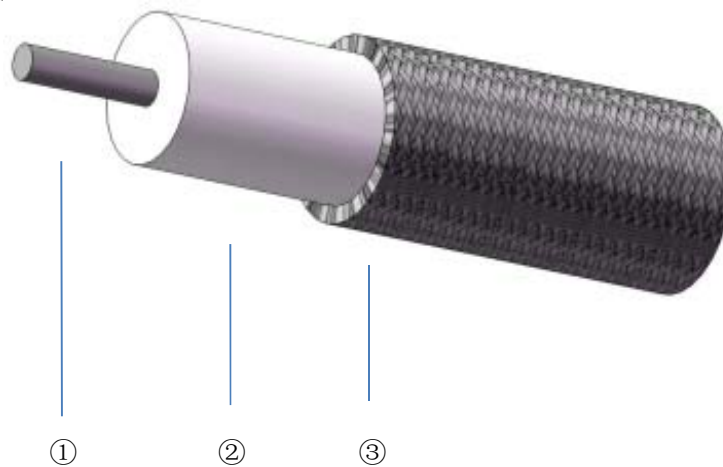
Product Description

Surperlink SFC series coaxial cable is a standard semi flexible cable. It can be able to operate up to 40 GHz. SFC is ideal for microwave applications and has the ability to be stripped and formed into position without the need for any specialist tools. Traditional cut-and-strip machines can be used for the processing of the cable.

Feature & Benefit

- Standard Coaxial Cable
- It can be replaced for Sucoform-86
- Low Loss

Product Structure



| | ①Center Conductor | ②Dielectric | ③Outer Conductor |
|-----------|-------------------|-------------|-------------------|
| Material | SPC | Solid PTFE | Tin Plated Copper |
| Size (mm) | 0.53±0.03 | 1.65±0.05 | 2.10±0.15 |

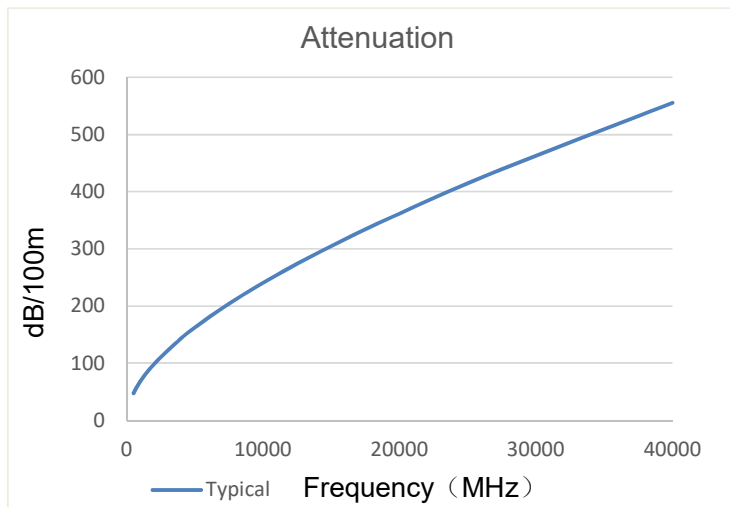
Specifications

| | |
|------------------------------|-----------|
| Impedance | 50Ω |
| Operation Frequency | 40GHz |
| Velocity of Propagation | 70% |
| Shielding Effectiveness | 90dB |
| Voltage Withstand | 3000V,DC |
| Capactiance | 98pF/m |
| Weight | 16g/m |
| Temp, Operating&Installation | -65~165°C |
| Temp,Storage | -65~165°C |
| Bend Radius:installation | 6mm |
| Bend Radius:repeated | 20mm |

The rights of technical information provided on the sheet belongs to Superlink. Contents cannot be provided to other third-companies without permission.

Shenzhen Superlink Technology Co.,Ltd
 Website: www.slkcorp.com
 Tel: +86 755-89814648

Attenuation (Typical@25°C VSWR=1.0)



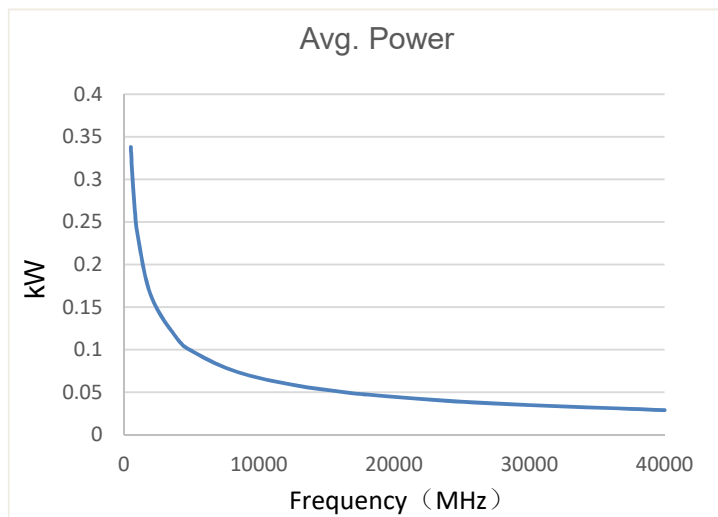
| Frequency(MHz) | Attenuation (dB/100m) |
|----------------|-----------------------|
| 500 | 47.4 |
| 600 | 52.1 |
| 800 | 60.6 |
| 1000 | 68.1 |
| 2000 | 98.5 |
| 4000 | 143.7 |
| 5000 | 162.6 |
| 8000 | 211.8 |
| 12000 | 267.6 |
| 16000 | 316.9 |
| 18000 | 339.9 |
| 26500 | 429.7 |
| 40000 | 555.4 |

$$K1= 2.037689$$

$$K2= 0.003696$$

$$\text{Attenuation}=K1* \sqrt{F}+K2*F$$

Power (40°C VSWR=1.0 Sea Level)



| Frequency(MHz) | Avg.Power (kW) |
|----------------|----------------|
| 500 | 0.338 |
| 600 | 0.307 |
| 800 | 0.264 |
| 1000 | 0.235 |
| 2000 | 0.163 |
| 4000 | 0.112 |
| 5000 | 0.099 |
| 8000 | 0.076 |
| 12000 | 0.060 |
| 16000 | 0.051 |
| 18000 | 0.047 |
| 26500 | 0.037 |
| 40000 | 0.029 |

Ver A-1