
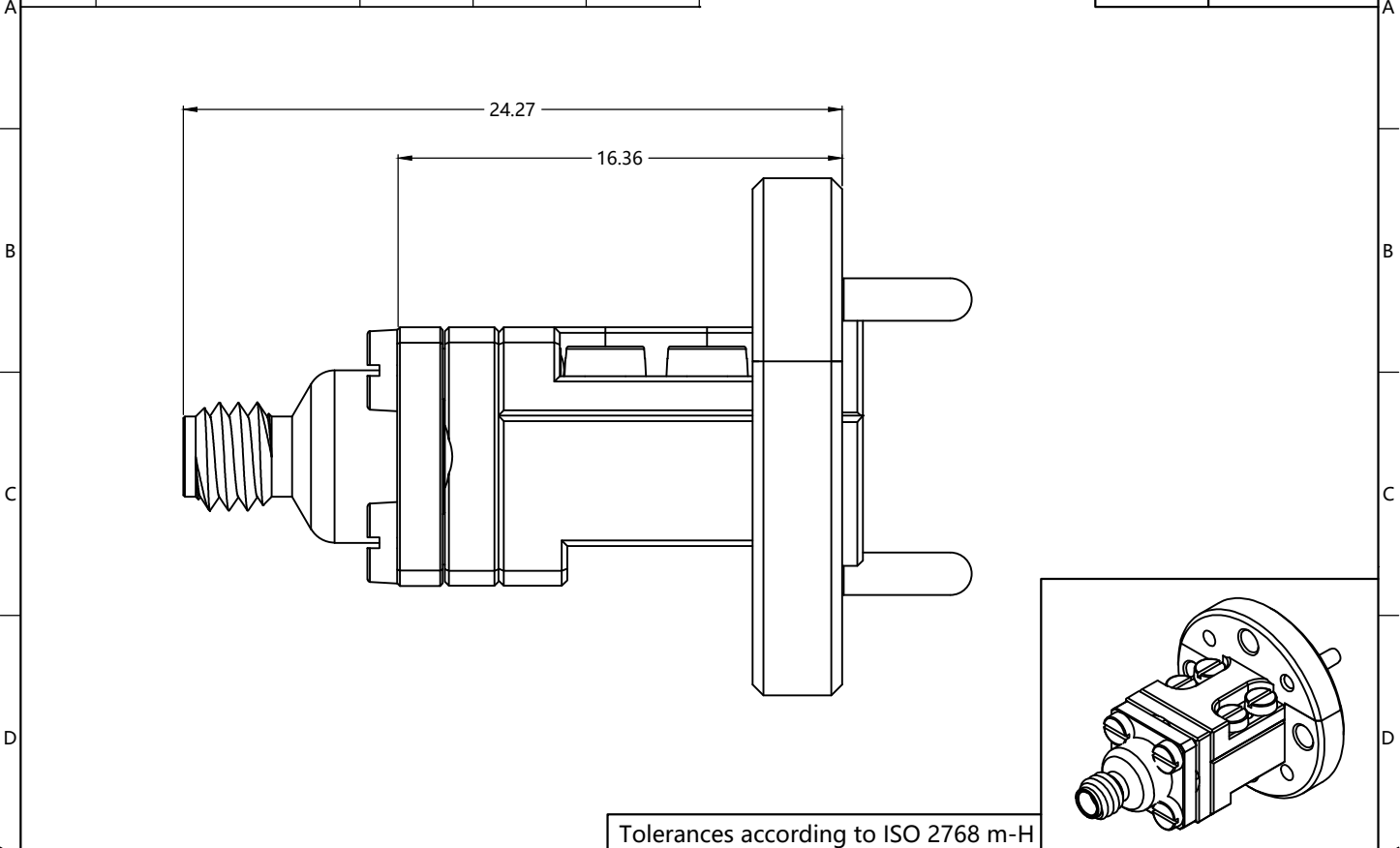



1	2	3	4	5	6
REV.	DESCRIPTION	ECN NO.	NAME	DATE	
0	FIRST EDITION	N/A	SYH	2020-07-29	



ALL PARTS MUST MEET TO RoHS REQUIREMENTS



Tolerances according to ISO 2768 m-H

MATERIALS AND PLATING		UNIT: MICRO-INCHES	ELECTRICAL CHARACTERISTICS		
PART NAME	MATERIALS	PLATING	IMPEDANCE	50 Ω	
CENTER CONDUCTOR	BeCu	PL.GOLD50u"/NICKEL/COPPER	VOLTAGE RATING	N/A	
OUTER CONDUCTOR OF 1.0mm CONNECTOR	STAINLESS STEEL	PASSIVATION	FREQUENCY RANGE	60 ~ 90 GHz	
WAVEGUIDE	BRASS	PL.GOLD50u"/NICKEL/COPPER	DIELECTRIC WITHSTANDING VOLTAGE	N/A	
INTERFACE			CONTACT RESISTANCE	CENTER CONTACT N/A	
				OUTER CONTACT N/A	
1.0mm CONNECTOR	According to IEC 61169-31		INSULATION RESISTANCE	N/A	
WAVEGUIDE	According to WR12		INSERTION LOSS	<0.70 dB	
FLANGE	According to UG-387/U		RETURN LOSS	>16 dB	
MECHANICAL CHARACTERISTICS			3RD INTERMODULATION	N/A	
MAXIMUM TORQUE OF 1.0mm CONNECTOR		0.70 NM	ENVIRONMENTAL PARAMETER		
RECOMMENDED TORQUE OF 1.0mm CONNECTOR		0.35 NM	TEMPERATURE RANGE	-40 °C ~ +85 °C	
RECOMMENDED TORQUE WR12		1.10 NM			
GAUGE OF 1.0mm CONNECTOR		0.00 ~ 0.05 mm			
DURABILITY		>500cycles @1.0mm CONNECTOR			
<b>* CUSTOMER OUTLINE DRAWING</b>					
UNLESS OTHERWISE SPECIFIED: 1) EDGES : C0.15 MAX ; 2) REMOVE ALL BURRS ; 3) SURFACE ROUGHNESS : Ra1.6 ; 4) UNITS : mm ; 5) DIMENSIONS TOLERANCES DECIMALS : .x ±0.3 .xx ±0.2 .xxx±0.1 ; ANGLES : ± 5°.			THIRD ANGLE PROJECTION		
			APPROVED : DU	CUSTOMER P/N : -	
			CHECKED : MING	SCALE : 4: 1	
			DRAWING : SYH	DATE : 2020-07-29	
			PAGE : 1/1		
			 TITLE : WR12-1.0K WAVEGUIDE COAXIAL CONVERTER DRAWING NO. : T-5T1F00S-T00-001 COMPANY WEBSITE : www.slkcorp.com		