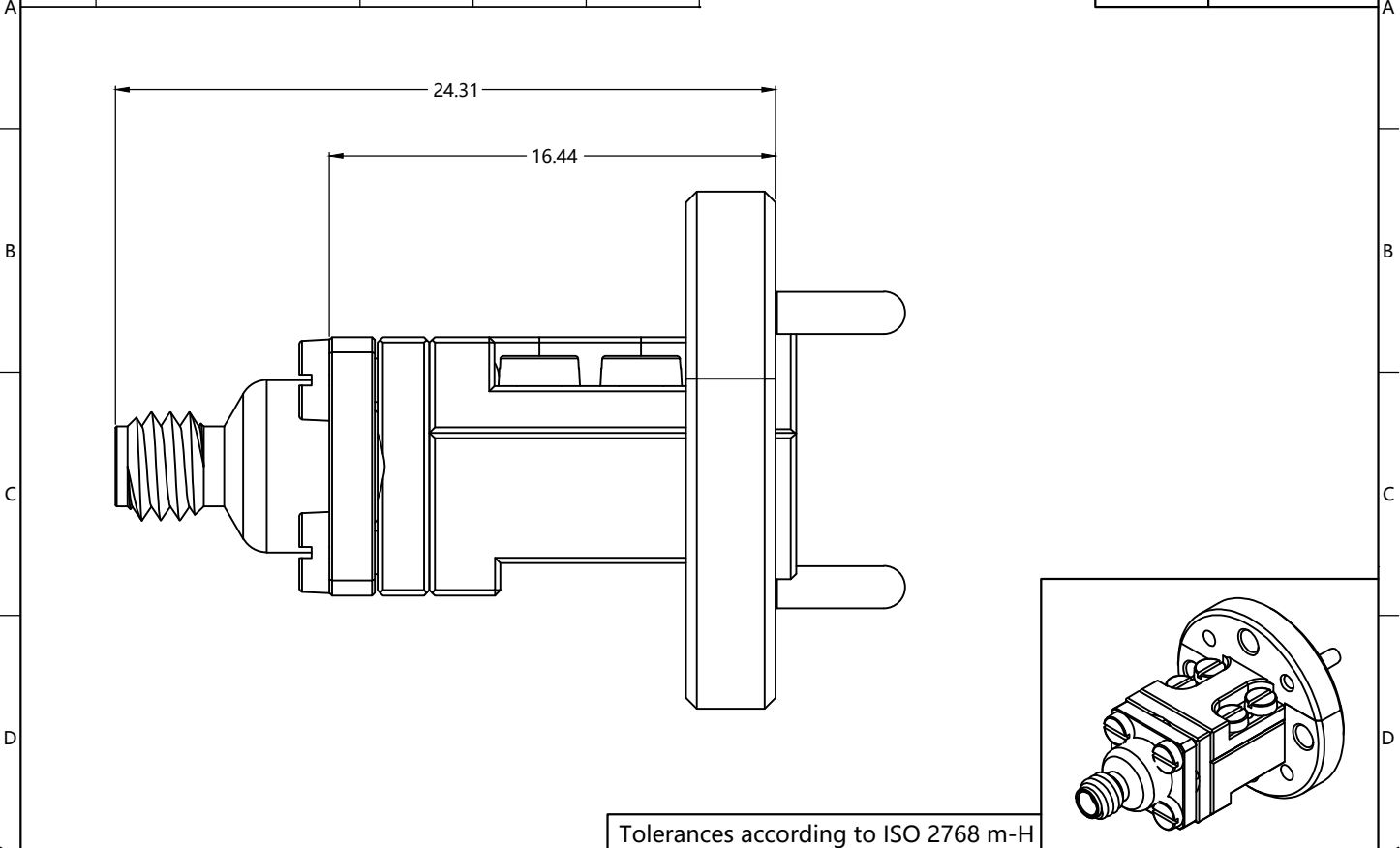


1	2	3	4	5	6
REV.	DESCRIPTION	ECN NO.	NAME	DATE	
0	FIRST EDITION	N/A	SYH	2020-06-17	



ALL PARTS MUST MEET TO RoHS REQUIREMENTS



Tolerances according to ISO 2768 m-H

MATERIALS AND PLATING		UNIT: MICRO-INCHES	ELECTRICAL CHARACTERISTICS	
PART NAME	MATERIALS	PLATING		
CENTER CONDUCTOR	BeCu	PL.GOLD50u"/NICKEL/COPPER	IMPEDANCE	50 Ω
OUTER CONDUCTOR OF 1.0mm CONNECTOR	STAINLESS STEEL	PASSIVATION	VOLTAGE RATING	N/A
WAVEGUIDE	BRASS	PL.GOLD50u"/NICKEL/COPPER	FREQUENCY RANGE	75 ~ 110 GHz
INTERFACE			CONTACT RESISTANCE	
			CENTER CONTACT	N/A
1.0mm CONNECTOR	According to IEC 61169-31		OUTER CONTACT	N/A
WAVEGUIDE	According to WR10		INSULATION RESISTANCE	N/A
FLANGE	According to UG-387/U-M		INSERTION LOSS	<0.70 dB
MECHANICAL CHARACTERISTICS			RETURN LOSS	>16 dB
			3RD INTERMODULATION	N/A
MAXIMUM TORQUE OF 1.0mm CONNECTOR	0.70 NM		ENVIRONMENTAL PARAMETER	
RECOMMENDED TORQUE OF 1.0mm CONNECTOR	0.35 NM		TEMPERATURE RANGE	-40 °C ~ +85 °C
RECOMMENDED TORQUE WR12	1.10 NM			
GAUGE OF 1.0mm CONNECTOR	0.00 ~ 0.05 mm			
DURABILITY	>500cycles @1.0mm CONNECTOR			

CUSTOMER OUTLINE DRAWING

* CUSTOMER OUTLINE DRAWING			THIRD ANGLE PROJECTION			
UNLESS OTHERWISE SPECIFIED: 1) EDGES : C0.15 MAX ; 2) REMOVE ALL BURRS ; 3) SURFACE ROUGHNESS : Ra1.6 ; 4) UNITS : mm ; 5) DIMENSIONS TOLERANCES DECIMALS : .x ±0.3 .xx ±0.2 .xxx±0.1; ANGLES : N/A.			APPROVED : DU	CUSTOMER P/N : -		TITLE : WR10-1.0K
			CHECKED : MING	SCALE : 4: 1		DRAWING NO. :
DRAWING : SYH	DATE : 2020-06-17	T-5T1F00S-T00				
			PAGE : 1/1	COMPANY WEBSITE : www.slkcorp.com		