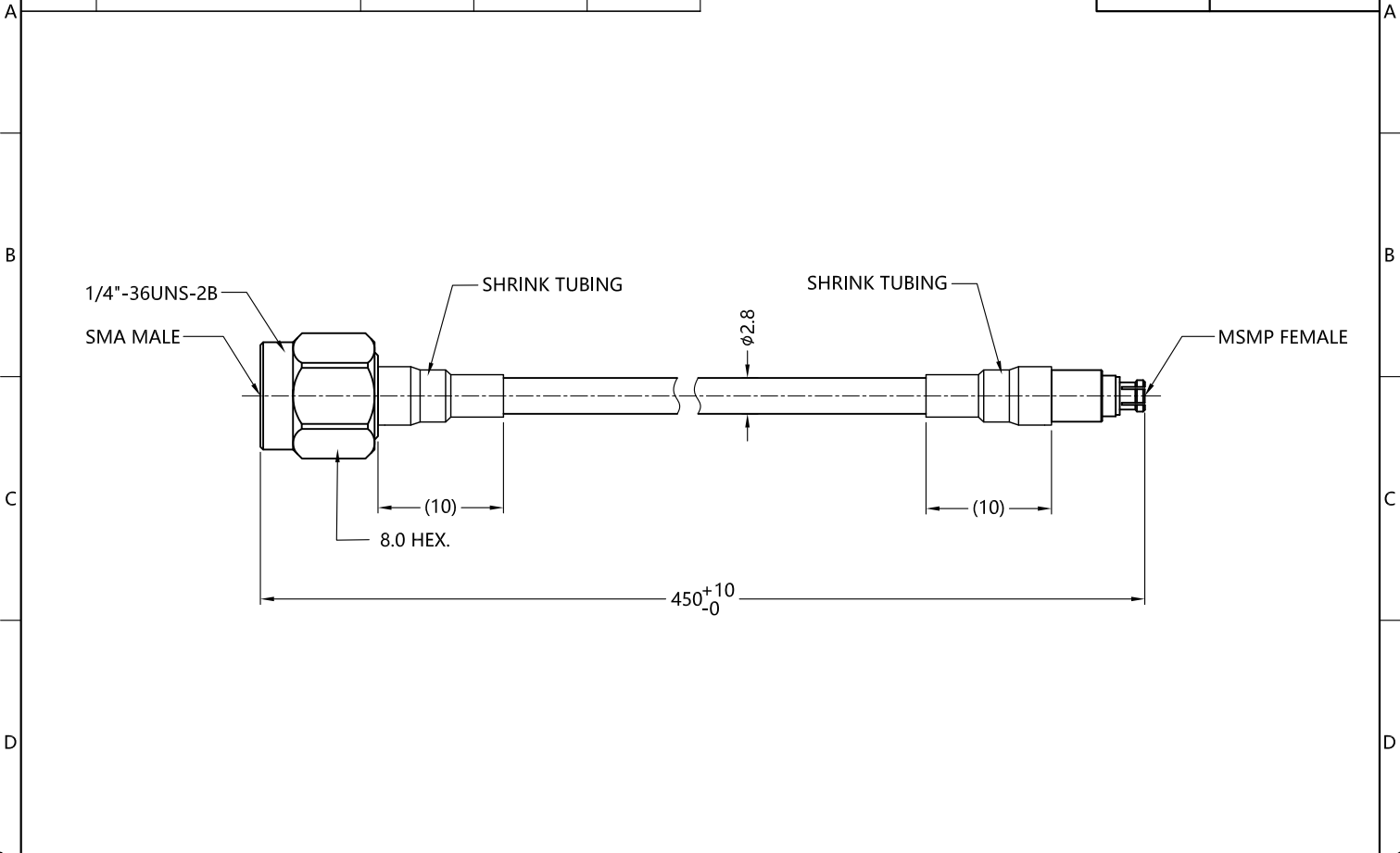


REV.	DESCRIPTION	ECN NO.	NAME	DATE
0	FIRST EDITION	N/A	Liu	2020-11-23



ALL PARTS MUST MEET TO RoHS REQUIREMENTS



MATERIALS AND PLATING		UNIT: MICRO-INCHES	
PART TYPE	PART NAME	MATERIALS	PLATING
SMA MALE	BODY	STAINLESS STEEL	GOLD 10 u"/COPPER
	SHELL	STAINLESS STEEL	PASSIVATION
	INSULATOR	PTFE ASTM-D-1710	N/A
	CONTACT PIN	BERYLLIUM COPPER	GOLD 15 u"/COPPER
MSMP FEMALE	BODY	BERYLLIUM COPPER	GOLD 30 u"/NICKEL/COPPER
	BODY	BRASS	GOLD 10 u"/NICKEL/COPPER
	INSULATOR	PEEK	N/A
	CONTACT PIN	BERYLLIUM COPPER	GOLD 50 u"/COPPER
CABLE	Nband-280 ; BLUE FEP JACKET		

ELECTRICAL CHARACTERISTICS		
IMPEDANCE	50 Ω	
VOLTAGE RATING	175 V(rms)	
FREQUENCY RANGE	0 ~ 8 GHz	
DIELECTRIC WITHSTANDING VOLTAGE	> 500 V	
CONTACT RESISTANCE	CENTER CONTACT	N/A
	OUTER CONTACT	N/A
INSULATION RESISTANCE	> 5000 MΩ	
INSERTION LOSS	< 1.53 dB	
VSWR	< 1.1 @ 0~3 GHz	
	< 1.2 @ 3~8 GHz	
3RD INTERMODULATION	N/A	

MECHANICAL CHARACTERISTICS	
CABLE RETENTION FORCE	> 15 lbs
MIN BENDING RADIUS STATIC	14 mm
DURABILITY	> 500 cycles

ENVIRONMENTAL PARAMETER	
TEMPERATURE RANGE	-40 °C ~ +85 °C

CUSTOMER OUTLINE DRAWING

**\* CUSTOMER OUTLINE DRAWING**

UNLESS OTHERWISE SPECIFIED:  
 1) EDGES : N/A ;  
 2) REMOVE ALL BURRS : N/A ;  
 3) SURFACE ROUGHNESS : N/A ;  
 4) UNITS : mm ;  
 5) DIMENSIONS TOLERANCES  
 DECIMALS : .x ±5, .xx ±2, .xxx ±1;  
 ANGLES : ±10°.

THIRD ANGLE PROJECTION		
APPROVED :	CUSTOMER P/N :	-
CHECKED :	SCALE :	1 : 1
DRAWING :	DATE :	2020-11-23
PAGE :		1/1



**TITLE : SMA MALE S/T TO SSMP FEMALE  
S/T FOR NBEMD-280 CABLE**

DRAWING NO. :  
MAMSMFPS-301-0450-01

COMPANY WEBSITE : [www.slkcorp.com](http://www.slkcorp.com)