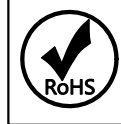
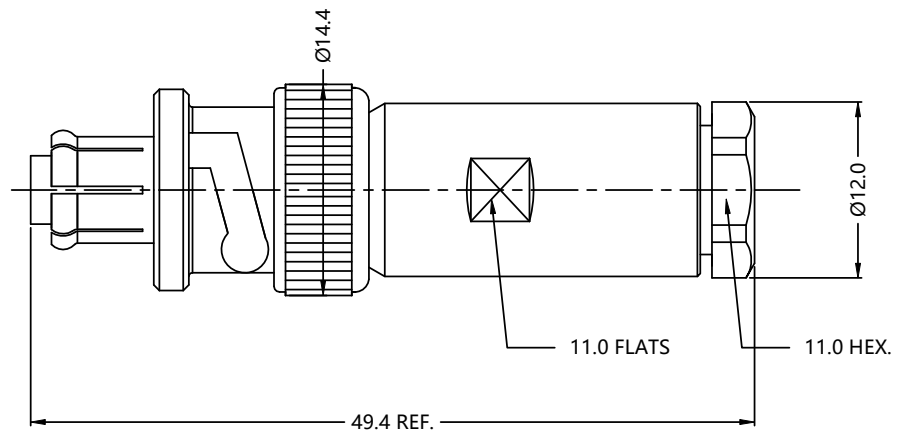


REV.	DESCRIPTION	ECN NO.	NAME	DATE
0	NEW FRAME	N/A	YWD	2022-06-08



ALL PARTS MUST MEET TO RoHS REQUIREMENTS



MATERIALS AND PLATING		UNIT: MICRO-INCHES
PART NAME	MATERIALS	PLATING
BODY	BRASS	NICKEL
CONTACT PIN	Be-Cu	GOLD
INSULATOR	PTFE ASTM-D-1710	N/A

ELECTRICAL CHARACTERISTICS	
IMPEDANCE	50 Ω
VOLTAGE RATING	500 V(rms)
FREQUENCY RANGE	DC ~ 300 MHz
DIELECTRIC WITHSTANDING VOLTAGE	>10 KV (DC)
CONTACT RESISTANCE	CENTER CONTACT <2.0 mΩ
	OUTER CONTACT <1.5 mΩ
INSULATION RESISTANCE	>10 ⁶ MΩ
INSERTION LOSS	N/A
VSWR	N/A
3RD INTERMODULATION	N/A

MECHANICAL CHARACTERISTICS	
FORCE TO ENGAGE AND DISENGAGE	N/A
CENTER CONTACT RETENTION FORCE	N/A
RECOMMENDED COUPLING TORQUE	N/A
COUPLING NUT RETENTION FORCE	N/A
DURABILITY	>500 cycles

ENVIRONMENTAL PARAMETER	
TEMPERATURE RANGE	-40 °C~+85 °C

*** CUSTOMER OUTLINE DRAWING**

UNLESS OTHERWISE SPECIFIED:
 1) EDGES : C0.15 MAX ;
 2) REMOVE ALL BURRS ;
 3) SURFACE ROUGHNESS : Ra1.6 ;
 4) UNITS : mm ;
 5) DIMENSIONS TOLERANCES
 DECIMALS : .x ±0.3 .xx ±0.2 .xxx±0.1;
 ANGLES : ± 5°.

THIRD ANGLE PROJECTION	
APPROVED :	CUSTOMER P/N :
CHECKED :	SCALE : 2 : 1
DRAWING :	DATE : 2022-06-08
PAGE : 1/1	



TITLE : SHV MALE CLAMP
FRO LEMO 130660 CABLE

DRAWING NO. : 5SHM14S-A710

COMPANY WEBSITE : www.slkcorp.com