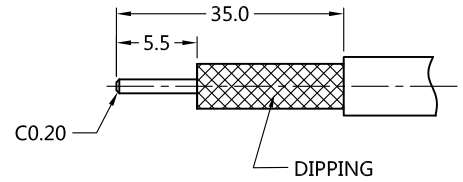


REV	DESCRIPTION	ECN NO	NAME	DATE
0	FIRST EDITION	N/A	WYJ	2016-04-18
1	NEW FRAME	N/A	LW	2020-07-14

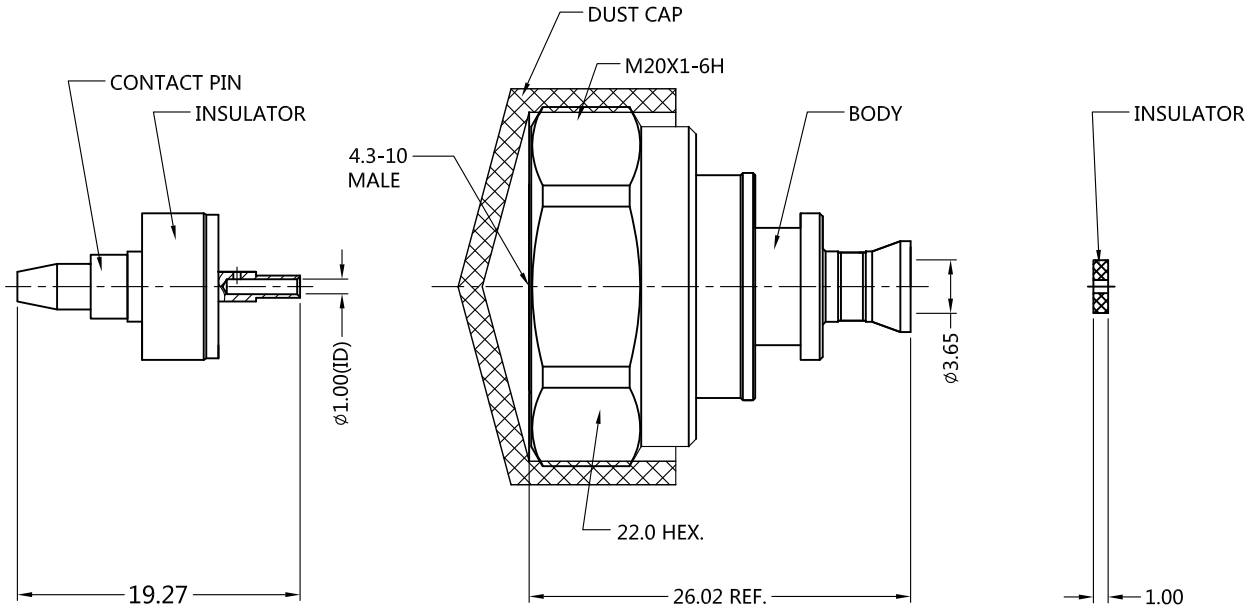


ALL PARTS MUST MEET TO RoHS REQUIREMENTS

REMARKS:  
1. ADDS SIZE:15.52mm  
2. CONTACT PIN TO SOLDER



RECOMMENDED CABLE STRIPPING DIM'S



MATERIALS AND PLATING		UNIT: MICRO-INCHES
BODY	NON-MAGNETIC BRASS	ALBALOY 120 u"/Cu/COPPER
CONTACT PIN	NON-MAGNETIC BRASS	SILVER 200 u" COPPER
INSULATOR	PTFE ASTM-D-1710	N/A
GASKET	SILICONE	RED
SHELL	BRASS	ALBALOY 80 u"/COPPER

ELECTRICAL CHARACTERISTICS	
IMPEDANCE	50 Ω
VOLTAGE RATING	335 V(rms)
FREQUENCY RANGE	0~6 GHz
DIELECTRIC WITHSTANDING VOLTAGE	>1000 V
CONTACT RESISTANCE	CENTER CONTACT <1.0 mΩ
	OUTER CONTACT <1.0 mΩ
INSULATION RESISTANCE	>5000 MΩ
INSERTION LOSS	<0.05√F dB
VSWR	<1.3
3RD INTERMODULATION	<-160 dBc @ 900MHz&1800MHz @ 2x43dBm

MECHANICAL CHARACTERISTICS	
FORCE TO ENGAGE AND DISENGAGE	N/A
CENTER CONTACT RETENTION FORCE	N/A
RECOMMENDED COUPLING TORQUE	44 in-lbs
COUPLING NUT RETENTION FORCE	>100 lbs
DURABILITY	>500 cycles

ENVIRONMENTAL CHARACTERISTICS	
TEMPERATURE RANGE	-40 °C~+125 °C

**\* CUSTOMER OUTLINE DRAWING**

UNLESS OTHERWISE SPECIFIED:  
1) C0.15 MAX;  
2) REMOVE ALL BURRS;  
3) SURFACE ROUGHNESS : Ra1.6;  
4) UNITS:mm;  
5) DIMENSIONS TOLERANCES  
DECIMALS .x ±0.3 .xx ±0.2 .xxx±0.1  
ANGLES ±5°

THIRD ANGLE PROJECTION	
APPROVED:	CUSTOMER P/N:
CHECKED:	SCALE:
DRAWING:	DATE: 2020-07-14
COMPANY WEBSITE: www.slkcorp.com	

TITLE: 4.3-10 MALE S/T SOLDER FOR TFT-402-LF CABLE,50Ω  
DRAWING NO: 5SDM15S-S02-001

CUSTOMER OUTLINE DRAWING