

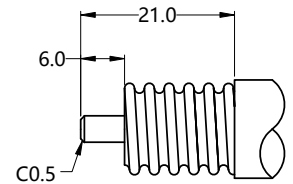
1	2	3	4	5	6
REV	DESCRIPTION	ECN NO	NAME	DATE	
0	FIRST EDITION	N/A	Liu	2022-09-20	



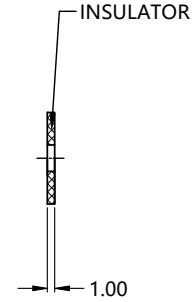
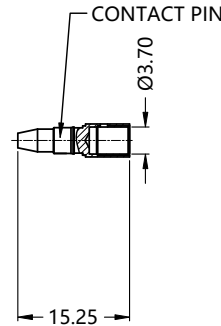
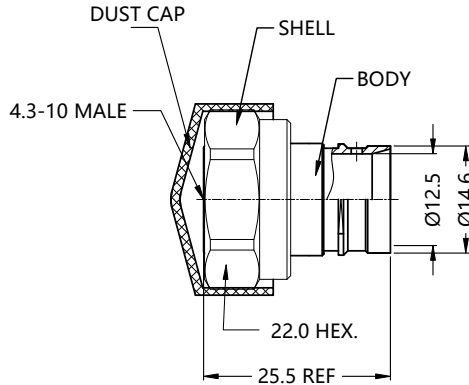
ALL PARTS MUST MEET TO RoHS REQUIREMENTS

REMARKS:

- 1.ADDS SIZE:10.5mm
- 2.CONTACT PIN AND BODY TO SOLDER



RECOMMENDED CABLE STRIPPING DIM'S



MATERIALS AND PLATING		UNIT: MICRO-INCHES	ELECTRICAL CHARACTERISTICS	
BODY/SHELL	BRASS C3604	ALBALOY 100 u" /COPPER	IMPEDANCE	50 Ω
CONTACT PIN	BRASS	SILVER 200 u" /COPPER	VOLTAGE RATING	835 V(rms)
INSULATOR	PTFE ASTM-D-1710	N/A	FREQUENCY RANGE	DC~6 GHz

DIELECTRIC WITHSTANDING VOLTAGE		>2500 V
CONTACT RESISTANCE	CENTER CONTACT	<1.0 mΩ
	OUTER CONTACT	<1.0 mΩ
INSULATION RESISTANCE		>5000 MΩ
INSERTION LOSS		<0.05√F dB
VSWR		<1.30

MECHANICAL CHARACTERISTICS	
FORCE TO ENGAGE AND DISENGAGE	N/A
CENTER CONTACT RETENTION FORCE	N/A
RECOMMENDED COUPLING TORQUE	5 Nm
COUPLING NUT RETENTION FORCE	> 100 lbs
DURABILITY	>500 cycles

3RD INTERMODULATION	>160 dBc @ 2x43 dBm (@ 700 MHz & 1800 MHz )
---------------------	--

\* CUSTOMER OUTLINE DRAWING

UNLESS OTHERWISE SPECIFIED: 1) C0.15 MAX; 2) REMOVE ALL BURRS; 3) SURFACE ROUGHNESS : Ra1.6; 4) UNITS:mm; 5) DIMENSIONS TOLERANCES DECIMALS .x ±0.3 .xx ±0.2 .xxx±0.1 ANGLES ±5°	THIRD ANGLE PROJECTION			
	APPROVED:	CUSTOMER P/N:		
	CHECKED:	SCALE:	DRAWING NO:	
	DRAWING:	DATE: 2022-09-20	5SDM15S-LS12-006	
				COMPANY WEBSITE: www.slkcorp.com