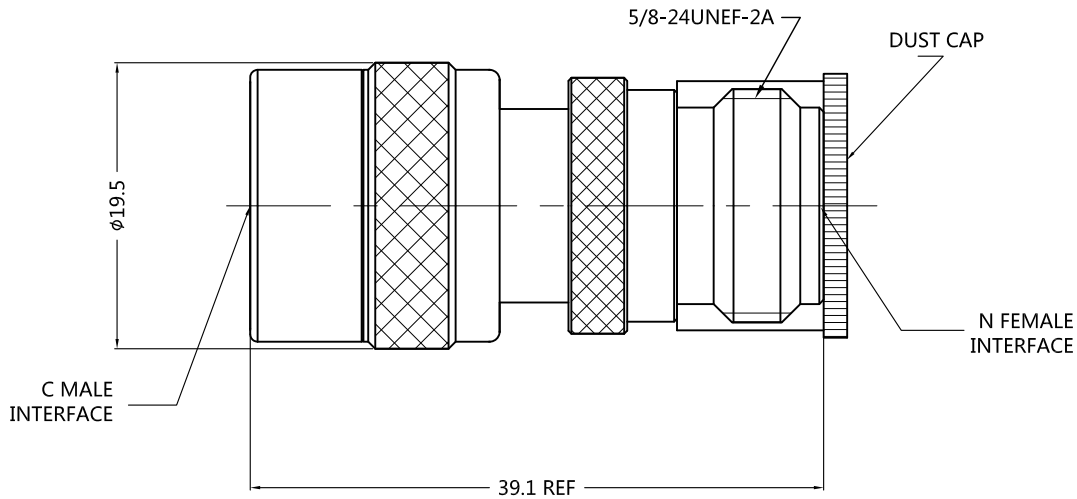


REV.	DESCRIPTION	ECN NO.	NAME	DATE
0	FIRST EDITION	N/A	LIU	2015-02-13
1	UPDATE DRAWING	N/A	PY	2020-05-07



ALL PARTS MUST MEET TO RoHS REQUIREMENTS



MATERIALS AND PLATING		UNIT: MICRO-INCHES
PART NAME	MATERIALS	PLATING
BODY	BRASS C3604	NICKEL 100u" /COPPER
INSULATOR	PTFE	N/A
CONTACT PIN	BERYLLIUM COPPER	SILVER 200u" /COPPER

ELECTRICAL CHARACTERISTICS	
IMPEDANCE	50 $\Omega$
VOLTAGE RATING	500 V(rms)
FREQUENCY RANGE	0 ~ 11 GHz
DIELECTRIC WITHSTANDING VOLTAGE	>1000 V
CONTACT RESISTANCE	CENTER CONTACT <math>< 3.0 \text{ m}\Omega</math>
	OUTER CONTACT <math>< 2.0 \text{ m}\Omega</math>
INSULATION RESISTANCE	>5000 M $\Omega$
INSERTION LOSS	<math>< 0.1x\sqrt{F(\text{GHz})} \text{ dB}</math>
VSWR	<1.25
3RD INTERMODULATION	N/A

MECHANICAL CHARACTERISTICS	
FORCE TO ENGAGE AND DISENGAGE	N/A
CENTER CONTACT RETENTION FORCE	>6 lbs
RECOMMENDED COUPLING TORQUE	N/A
COUPLING NUT RETENTION FORCE	>60 lbs
DURABILITY	>500cycles

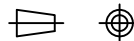
ENVIRONMENTAL PARAMETER	
TEMPERATURE RANGE	-55 $^{\circ}\text{C}$ ~ +125 $^{\circ}\text{C}$

**\* CUSTOMER OUTLINE DRAWING**

UNLESS OTHERWISE SPECIFIED:

- 1) EDGES : C0.15 MAX ;
- 2) REMOVE ALL BURRS ;
- 3) SURFACE ROUGHNESS : Ra1.6 ;
- 4) UNITS : mm ;
- 5) DIMENSIONS TOLERANCES  
 DECIMALS : .x  $\pm 0.3$  .xx  $\pm 0.2$  .xxx  $\pm 0.1$  ;  
 ANGLES :  $\pm 5^{\circ}$ .

THIRD ANGLE PROJECTION



APPROVED :

CUSTOMER P/N :

CHECKED :

SCALE :

1 : 1

DRAWING : PY

DATE : 2020-05-07

PAGE : 1/1



TITLE : C MALE TO N FEMALE ADAPTER

DRAWING NO. :

5NCF06S-CCM

COMPANY WEBSITE : www.slkcorp.com

CUSTOMER OUTLINE DRAWING