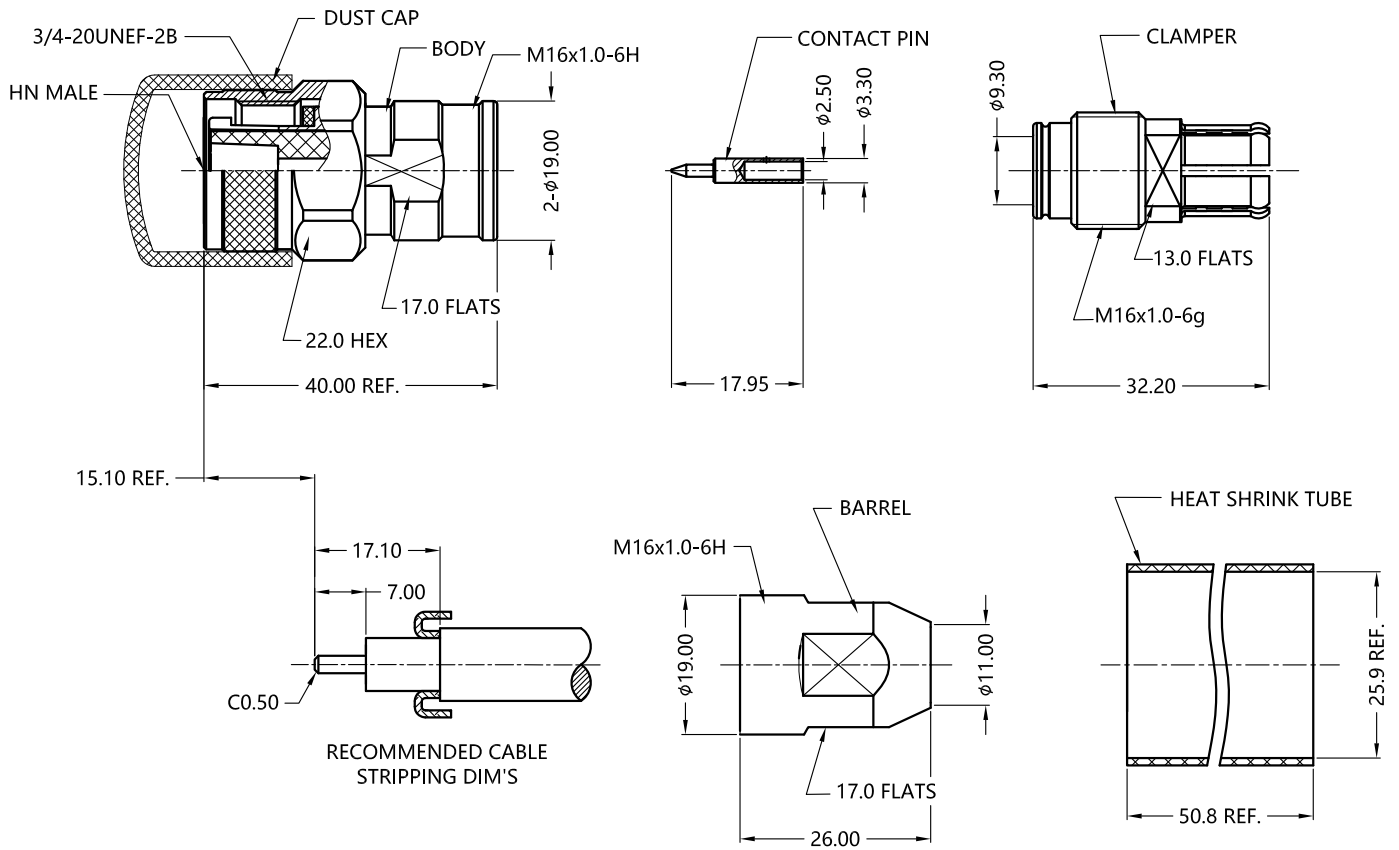


REV.	DESCRIPTION	ECN NO.	NAME	DATE
0	FIRST EDITION	N/A	LIU	2019-10-19
1	UPDATE THE DRAWING	N/A	LIU	2019-11-07
2	UPDATE DRAWING	N/A	QGZ	2020-08-11



ALL PARTS MUST MEET TO RoHS REQUIREMENTS



MATERIALS AND PLATING		UNIT: MICRO-INCHES
PART NAME	MATERIALS	PLATING
BODY/SHELL	BRASS	ALBALOY 100 u"/COPPER
CONTACT PIN	BRASS	SILVER 200 u"/COPPER
INSULATOR	PTFE ASTM-D-1710	N/A
GASKET	SILICONE	RED
BARREL	BRASS	ALBALOY 100 u"/COPPER

ELECTRICAL CHARACTERISTICS	
IMPEDANCE	50 Ω
VOLTAGE RATING	N/A
FREQUENCY RANGE	0 ~ 1 GHz
DIELECTRIC WITHSTANDING VOLTAGE	>5000 V
CONTACT RESISTANCE	CENTER CONTACT
	OUTER CONTACT
INSULATION RESISTANCE	>10000 MΩ
INSERTION LOSS	<0.1*√F GHz db
VSWR	<1.2
3RD INTERMODULATION	N/A

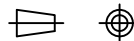
MECHANICAL CHARACTERISTICS	
FORCE TO ENGAGE AND DISENGAGE	N/A
CABLE RETENTION FORCE	N/A
CABLE-CONNECTOR ANTI-TORQUE	>2.8N.m
COUPLING NUT RETENTION FORCE	>100 lbs
DURABILITY	>500cycles

ENVIRONMENTAL PARAMETER	
TEMPERATURE RANGE	-40 °C~+125 °C
THERMAL SHOCK	MIL- STD 202, Meth. 107,Cond. B
VIBRATION	MIL- STD 202, Meth. 204,Cond. B
SHOCK	MIL- STD 202, Meth. 213,Cond. I

* CUSTOMER OUTLINE DRAWING

UNLESS OTHERWISE SPECIFIED:
 1) EDGES : C0.15 MAX ;
 2) REMOVE ALL BURRS ;
 3) SURFACE ROUGHNESS : Ra1.6 ;
 4) UNITS : mm ;
 5) DIMENSIONS TOLERANCES
 DECIMALS : .x ±0.3 .xx ±0.2 .xxx±0.1;
 ANGLES : ± 5°.

THIRD ANGLE PROJECTION



APPROVED :

CUSTOMER P/N :

CHECKED :

SCALE :

1 : 1

DRAWING :

DATE : 2020-08-11

PAGE : 1/1



TITLE : HN MALE S/T FOR RG-213/RG-214/RG-393 CABLE 50Ω

DRAWING NO. : 5HNM14S-A253-005

COMPANY WEBSITE : www.slkcorp.com

CUSTOMER OUTLINE DRAWING