
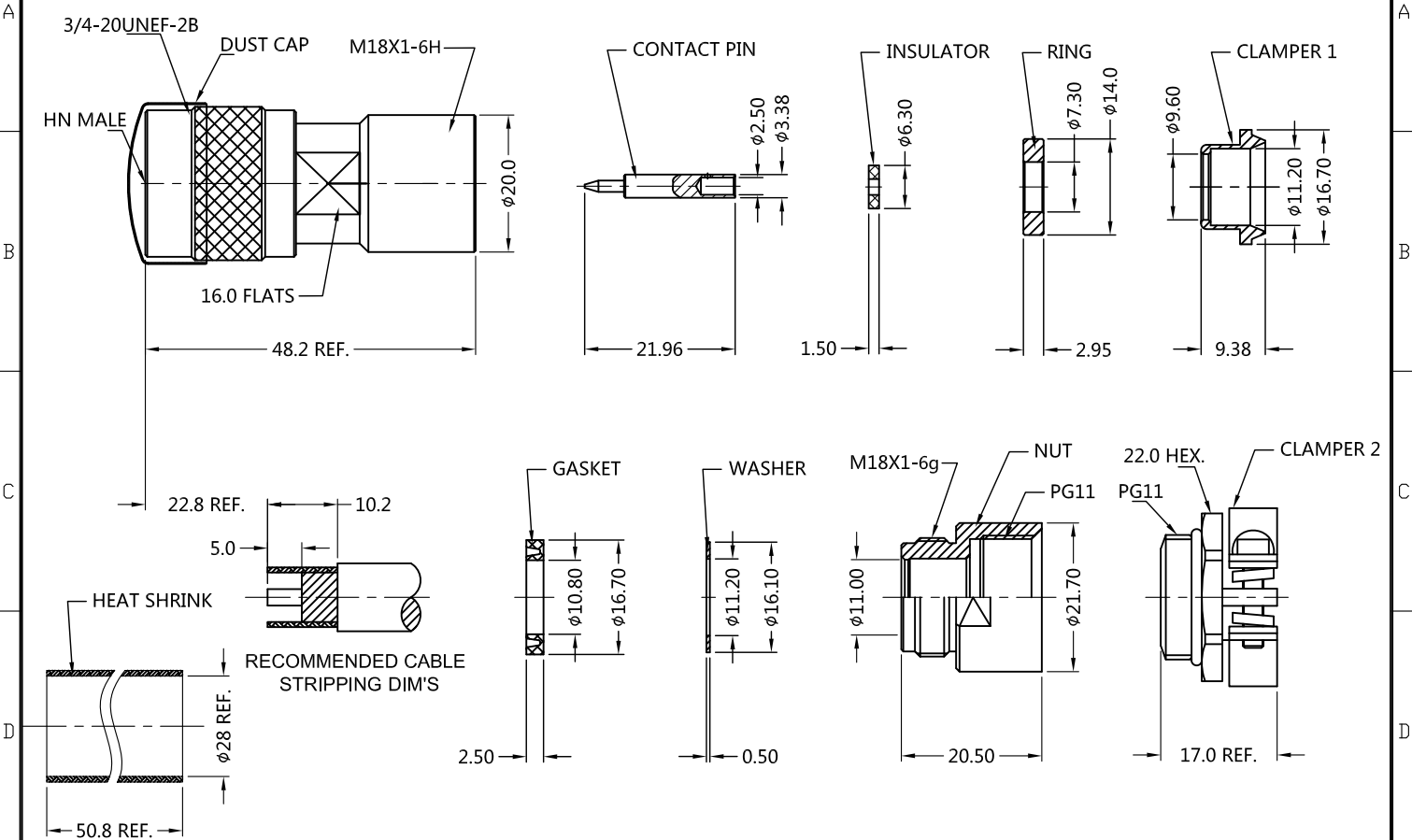
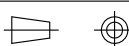



REV	DESCRIPTION	ECN NO	NAME	DATE	REMARKS: 1. CONTACT PIN TO SOLDER 2. OUT CONTACT TO CLAMP	 ALL PARTS MUST MEET TO RoHS REQUIREMENTS
0	FIRST EDITION	N/A	Arming	2012-02-17		
1	Update the drawing	N/A	ZLX	2018-07-04		
2	Update the drawing	N/A	Liu	2020-08-03		



MATERIALS AND PLATING		UNIT: MICRO-INCHES	ELECTRICAL CHARACTERISTICS	
BODY/SHELL	BRASS	NICKEL 200 u"/COPPER	IMPEDANCE	50 Ω
CONTACT PIN	BRASS	SILVER 200 u"/COPPER	VOLTAGE RATING	500 V(rms)
INSULATOR	PTFE ASTM-D-1710	N/A	FREQUENCY RANGE	0 ~ 100 MHz
RING/WASHER	BRASS	NICKEL 200 u"/COPPER	DIELECTRIC WITHSTANDING VOLTAGE	>4000 V
CLAMPER	BRASS	NICKEL 200 u"/COPPER	CONTACT RESISTANCE	CENTER CONTACT <1.5 mΩ
NUT	BRASS	NICKEL 200 u"/COPPER		OUTER CONTACT <1.0 mΩ
GASKET	SILICONE	RED	INSULATION RESISTANCE	>5000 MΩ
MECHANICAL CHARACTERISTICS			INSERTION LOSS	<0.05√f dB
			FORCE TO ENGAGE AND DISENGAGE	N/A
			CENTER CONTACT RETENTION FORCE	>6 lbs
			RECOMMENDED COUPLING TORQUE	9~14 in-lbs
ENVIRONMENTAL CHARACTERISTICS			VSWR	<1.20
			COUPLING NUT RETENTION FORCE	>100 lbs
			TEMPERATURE RANGE	-40 °C ~ +125 °C
			DURABILITY	>500 cycles
			3RD INTERMODULATION	N/A
			SHOCK	MIL- STD 202, Meth. 213, Cond. I

CUSTOMER OUTLINE DRAWING

* CUSTOMER OUTLINE DRAWING		THIRD ANGLE PROJECTION 		 TITLE: HN MALE R/A CLAMP FOR RG-393 CABLE, 50Ω DRAWING NO: 5HNM14S-A253-001 COMPANY WEBSITE: www.slkcorp.com
UNLESS OTHERWISE SPECIFIED: 1) C0.15 MAX; 2) REMOVE ALL BURRS; 3) SURFACE ROUGHNESS : Ra1.6; 4) UNITS:mm; 5) DIMENSIONS TOLERANCES DECIMALS .x ±0.3 .xx ±0.2 .xxx ±0.1 ANGLES ±5°		APPROVED:	CUSTOMER P/N:	
		CHECKED:	SCALE:	
		DRAWING:	DATE: 2020-08-03	