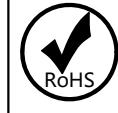
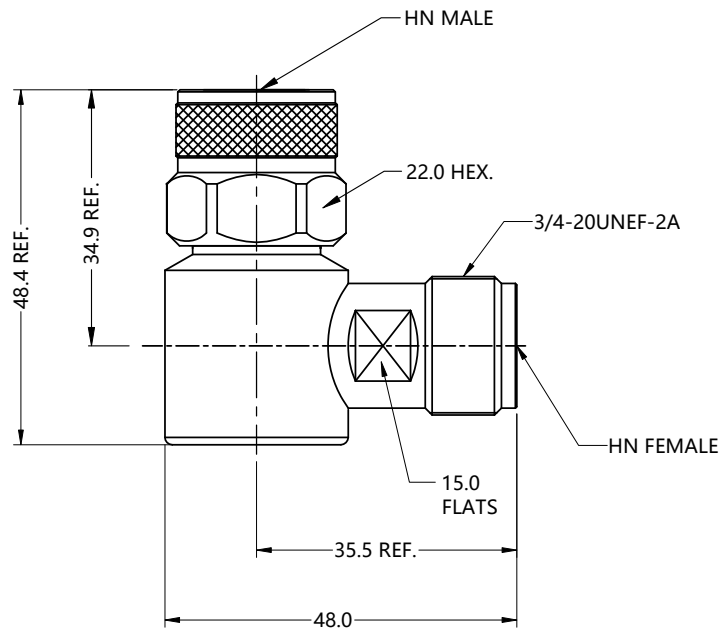


REV.	DESCRIPTION	ECN NO.	NAME	DATE
0	FIRST EDITION	N/A	LEI CHAO	2022-09-08
1	Update the drawing	N/A	Liu	2022-09-28



ALL PARTS MUST MEET TO RoHS REQUIREMENTS



MATERIALS AND PLATING		UNIT: MICRO-INCHES
PART NAME	MATERIALS	PLATING
BODY/SHELL	BRASS C3604	ALBALOY 100 u"/COPPER
CONTACT PIN	BRASS+Be-Cu 17300	SILVER 200 u"/COPPER
INSULATOR	PTFE ASTM-D-1710	N/A
GASKET	SILICONE	RED

ELECTRICAL CHARACTERISTICS		
IMPEDANCE	50 Ω	
VOLTAGE RATING	N/A	
FREQUENCY RANGE	DC~3.0 GHz	
DIELECTRIC WITHSTANDING VOLTAGE	> 5000 V	
CONTACT RESISTANCE	CENTER CONTACT	<1.0 mΩ
	OUTER CONTACT	<0.2 mΩ
INSULATION RESISTANCE	>10000 MΩ	
INSERTION LOSS	<0.1x√F(GHz) dB	
VSWR	<1.20	
3RD INTERMODULATION	N/A	

MECHANICAL CHARACTERISTICS	
FORCE TO ENGAGE AND DISENGAGE	N/A
CENTER CONTACT RETENTION FORCE	>6 lbs
RECOMMENDED COUPLING TORQUE	9~14 in.lbs
COUPLING NUT RETENTION FORCE	>100 lbs
DURABILITY	>500 cycles

ENVIRONMENTAL PARAMETER	
TEMPERATURE RANGE	-40 °C~+125 °C

*** CUSTOMER OUTLINE DRAWING**

UNLESS OTHERWISE SPECIFIED:
 1) EDGES : C0.15 MAX ;
 2) REMOVE ALL BURRS ;
 3) SURFACE ROUGHNESS : Ra1.6 ;
 4) UNITS : mm ;
 5) DIMENSIONS TOLERANCES
 DECIMALS : .x ±0.3 .xx ±0.2 .xxx±0.1;
 ANGLES : ± 5°.

THIRD ANGLE PROJECTION	
APPROVED :	CUSTOMER P/N :
CHECKED :	SCALE : 1 : 1
DRAWING :	DATE : 2022-09-28
PAGE : 1/1	

TITLE : HN Male TO HN FEMALE
R/A ADAPTER,50Ω

DRAWING NO. : 5HNF06R-HNM-001

COMPANY WEBSITE : www.slkcorp.com